

2190 Dagenais Blvd. West Tel. : 514.337.4415  
Laval (Quebec) Fax : 514.337.4029  
Canada info@burcam.com  
H7L 5X9 see us at [www.burcam.com](http://www.burcam.com)

## JET PUMP

### MODEL 506522SS

Your pump has been carefully packaged at the factory to prevent damage during shipping. However, occasional damage may occur due to rough handling. **Carefully inspect your pump** for damages that could cause failures. Report any damage to your carrier or your point of purchase.

Please read these instructions carefully. **Failure** to comply to instructions and **designed** operation of this system, may **void** the warranty.

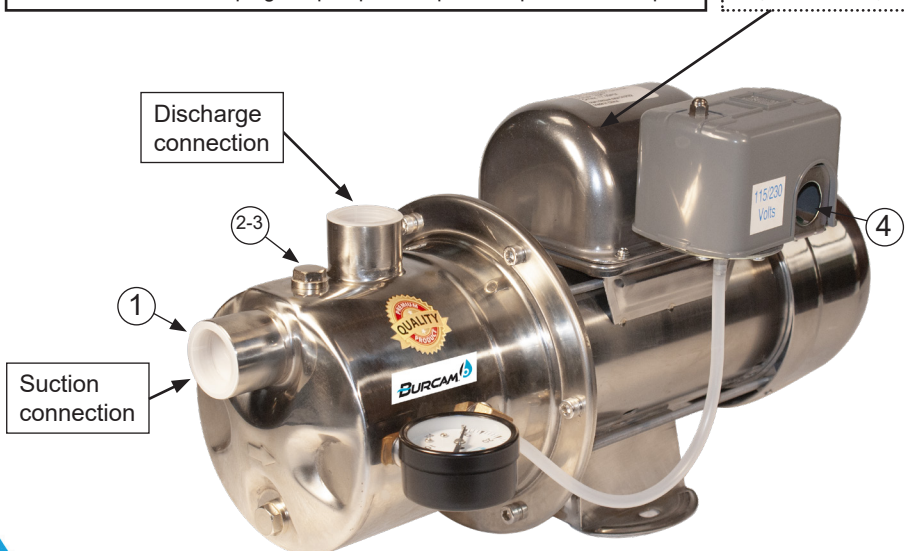
### READ THIS DOCUMENT IN TOTALITY PRIOR TO STARTING THE INSTALLATION.

#### PRIMING PROCESS

Follow all these step by step instructions to install your pump. Use teflon tape on all threads. (1) Fill the suction line with water and connect it to the suction inlet. (2) Remove the priming plug and fill the pump body with water. (3) Screw the plug to the priming inlet. (4) Turn the power on. The pump should deliver water to the plumbing line within 30 seconds. If not, unplug the pump and repeat the process at step 2.

#### FACTORY SET VOLTAGE 115 V TO CHANGE THE VOLTAGE :

- Before changing the voltage connection:
- A) Ensure the power to the pump is disconnected.
  - B) Open motor junction box cover.
  - C) Please select the up knob position for 115V or down knob position for 230V.
  - D) Connect to appropriate voltage.
  - E) Close motor junction box.



# SAFETY INSTRUCTIONS

This fine pump that you have just purchased is designed from the latest in material and workmanship. Before installation and operation, we recommend the following procedures :

**A**

Check with your local electrical and plumbing codes to ensure you comply with the regulations. These codes have been designed with your safety in mind. Be sure you comply with them.

**B**

We recommend that the pump be used on a separate circuit lead from the home electrical distribution panel , and which is protected with a fuse or a circuit breaker. The motor must be securely plugged into a proper 'GFCI' electrical outlet. Consult a licensed electrician for all wiring.

**C**

The ground terminal on the three prong plugs should never be removed. They are supplied and designed for your protection.

**D**

Never make adjustments to any electrical appliance or product with the power connected. Do not only unscrew the fuse or trip the breaker, remove the power plug from the receptacle.

## MONTHLY MANDATORY CHECK-UP :

1. Inspect the pump for any obvious condition that necessitates cleaning, correction, adjustment or repair.
2. Clear the surroundings of any paper, leaves or other debris.
3. Ensure that the pump is secure for proper operation.
4. Ensure that there is adequate clearance from any combustible materials or structure. Stored materials must be kept away from the pump. Shelves or cabinet structures must not be in close proximity to the pump.
5. Ensure that the motor is securely plugged into a proper 'GFCI' electrical outlet.
6. Test the 'GFCI' outlet by pressing its test switch. This should prove that the outlet is energized and will trip off to protect against a ground fault. Be sure to reset the 'GFCI' by pressing its reset switch.
7. Observe that the plumbing can carry the water safely into the residence.

## Material required for drilled well application (indoor use only)

### Shallow well pump installation

- Desired length of polyethylene 1" pipe, 100 PSI, CSA or UL approved, to link up from pumping level to pump.
- 1 1" foot valve (750756 or 750752P).
- 1 well seal, as per well casing diameter (750929 6" x 1").
- 1 1" well seal elbow (750860).
- 2 1" male adaptors (750865 or 750871).
- 8 1" stainless steel clamps (750885).
- Teflon tape.

### Tank installation

- Desired length of 1" braided hose (750919) to link up from pump to tank. Keep tank as close as possible from pump.
- 1 tank T (650651).
- 1 drain valve (650659).
- 2 1" female adaptor.
- 1 1" male adaptor (750865 or 750871).
- 3 1" stainless steel clamps (750885).
- Teflon tape.

### Tools

Screwdrivers, hacksaw to cut pipe, knife to assist in pipe cutting, round file to smooth pipe ends, pipe wrench, adjustable wrench to tighten fittings.

### **NOTICE**

This unit is not designed for applications involving salt water or brine. Use with salt water or brine will void warranty.

## APPLICATION :

This pump is designed for shallow well installation for water level up to 25 feet.

## CAPACITY AT 20 PSI :

25' 350 US GPH

20' 490 US GPH

15' 650 US GPH

10' 775 US GPH

5' 905 US GPH

Friction loss in pipe  
not included.

## FEATURES :

304 stainless steel pump body, easy to prime.

Totally enclosed, fan-cooled motor. Bearing to bearing. Built for continuous use.

Full-time connected run capacitor, to eliminate starting wear vs regular motor.

Thermal and overload protection.

Noryl impeller, built-in injector.

1 HP, 115/230V AC, 60Hz, 9.0/4.5A (18.0/9.0A when the pump start).

## INSTALLATION STEPS

### NEVER RUN THE PUMP DRY

#### STEP 1

We recommend that you install your pump in a clean and dry location where there is adequate room for servicing at a later date. Protection from freezing temperatures and good ventilation should be considered as well, to provide the pump an environment for long life. Locating the pump as close as possible to the water source will reduce friction losses encountered in the suction pipe.

Friction losses in the suction pipe must be taken into consideration when the horizontal offset is greater than 50 feet. The suction pipes should be increased from 1" to 1 1/4". This will reduce friction losses and allow the pump to give maximum performance.

A new well should be checked to determine that it is free from sand. Sand will damage the seal and the impeller. Have your well driller clean the well before your installation.

**Never run the pump dry.** Damage to the seal may occur. Fill pump body and suction pipe with water before turning on the power.

THE RUN OF THE HORIZONTAL PIPE FROM THE TOP OF YOUR WELL INTO THE HOUSE, WHERE YOUR PUMP WILL BE LOCATED, MUST BE INSTALLED IN A TRENCH, BELOW THE FROST LEVEL OF YOUR AREA.

# SHALLOW WELL APPLICATION

SEE DIAGRAM ON PAGE 7

## STEP 2

Cut the desired length of poly pipe to run from the top of the well to the pumping level. Smooth the pipe cuttings with your round file. (Check that no cut-out parts are left inside of pipe. This may block pump injector or impeller).

Tape male adaptor threads with teflon tape and thread adaptor into the foot valve. Slide 2 stainless steel clamps over one end of pipe and use torch to soften pipe. Insert the male adaptor and foot valve into this pipe end. Tighten clamps with screwdriver. **For security against leaks, we suggest to install 2 stainless steel clamps on each adaptor.**

## STEP 3

Insert the well seal elbow thru the opening of the seal.

Slide 2 stainless steel clamps over the free end of the previously cut pipe and soften pipe with your torch. Attach pipe to the well seal elbow (end protruding at bottom of well seal). Tighten clamps with screwdriver when cool.

## STEP 4

Install the well seal and piping assembly into your well casing. Tight down the seal bolts using your adjustable wrench.

To facilitate servicing at a later date, you may use a pitless adaptor and a sealed well cap instead of an elbow and a well seal as described in steps 3 and 4.

## STEP 5

Install your pump in the house, on a sound foundation, as close as possible to the basement wall. Thread an adaptor into inlet using teflon tape. Do not over tighten.

## STEP 6

Cut the desired length of pipe from pump location to the well seal and connect both ends using the previous way, with stainless steel clamps and torch. Before connecting your pipe to the pump, fill the suction line with water. **Do not fill in your trench to the house until you have checked for any leaks in your connections or trouble in your water system.**

## STEP 7 for sand or well point

Sand or well points are limited to areas where water bearing sand or gravel lies below the surface, and where there are no boulders or rocks to interfere with the driving into the ground of the point.

The amount of water any "one" well point will supply is usually rather limited. Sometimes, it is necessary to use more than one point to increase the supply of water entering to the pump's suction.

THE IMPORTANT INSTALLATION STEP IN USING WELL POINTS IS THAT A CHECK VALVE MUST BE USED IN THE SUCTION PIPE LEADING TO THE SUCTION INLET, AS CLOSE TO THE PUMP AS POSSIBLE, TO KEEP LINE AND PUMP WELL PRIMED.

CONTINUE ON PAGE 5 & 6 FOR TANKS  
AND ELECTRICAL INSTALLATION STEPS.

# TANK INSTALLATION

SEE DIAGRAM ON PAGE 8

## STEP 9

Packaged systems have the pump mounted directly to the tank. The pump to tank plumbing fittings are pre-assembled at the factory. You only have to connect the discharge line of your system to your home's plumbing distribution line. When using a separate tank from your pump, we recommend that you install a captive air tank as shown in our typical installation diagram, that is air injected into the tank at the factory. This air, which is in addition to atmospheric pressure, increase the ability of the tank to deliver more water between on/off cycles, thus increasing the efficiency of your water system. Connect the pump discharge to the tank T, using adaptors and braided hose, then, connect the other side of tank T to your home's plumbing distribution line.

**Make sure that the precharged air pressure (before connecting the tank) is 2 PSI less than the starting pressure setting on the pressure switch of your pump.**

If you adjust the air pressure after the installation, follow these steps:

- Check the starting pressure of the pump on the pressure gauge;
- Disconnect the power to the pump;
- Open nearest faucet to the tank and relieve all pressure in tank, then close the faucet;
- Adjust the air pressure of the tank (by pumping or removing air at the sniffer valve) to 2 PSI below the pressure switch "ON" setting;
- Turn power back on to pump.

Your tank is now properly precharged. Run the pump through a few cycles to verify that it works properly.

## For epoxy or glass lined tanks

Other types of tanks may be used, such as galvanized standard tanks, epoxy or glass lined tanks. These products do not achieve the benefits of the captive air tanks.

Epoxy or glass lined tanks with a float have to be precharged by the installer. Assuming tank is plumbed to pump and all connections are checked for leaks, follow these steps:

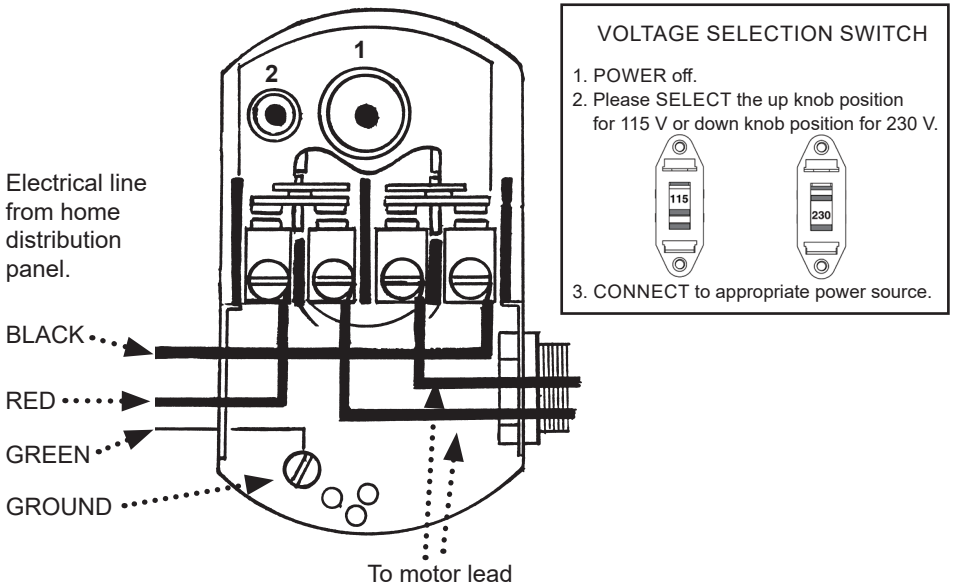
- Run pump through one complete cycle, until pump shuts off;
- Disconnect the power to the pump;
- Open nearest faucet to the tank and relieve all pressure in tank, then close the faucet;
- Close service line gate valve;
- With a car tire pump, inject air into the sniffer valve located in tank. Watch the pump pressure gauge and stop pumping air when the pressure reaches 2 PSI below pressure the switch "ON" setting;
- Return power back on to pump;
- Run pump through one complete cycle;
- Open service line gate valve.

Your tank is now properly precharged. Run the pump through a few cycles to verify that it works properly.

## Not recommended for galvanized tanks

Galvanized standard tanks require an air volume control to be used with a jet pump. We do not recommend the installation of this type of tank with your jet pump. This type of galvanized tank is recommended for piston pumps.

# ELECTRICAL INSTALLATION



We recommend that a licensed electrician be employed to do the proper wiring to the pressure switch, and to permanently ground the motor in accordance to the electrical codes in your area.

Do not use an extension cord to connect your pump to the power source. From your distribution panel to the pressure switch, we recommend a wire gauge not smaller than 14 gauge.

This is a dual voltage 115/230 pump. The voltage selection switch is located inside the terminal box, on the motor. The motor is factory wired at 115V. For 230V selection, please open the terminal cover and set the switch to the proper voltage. (See above drawing on right).

The pressure switch setting (start/stop 20/40 or 30/50) has been adjusted at the factory. Adjustments may be done to give other operating pressures.

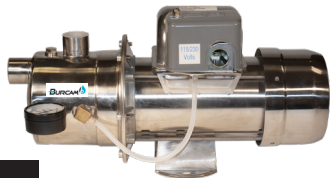
Adjustment or modification of start/stop setting of pressure switch has to be done carefully. **Turn adjustment nut 1 a half turn at a time. (Do not adjust nut 2).**

Turn nut 1 clockwise to raise start and stop pressure setting. **Never turn nut 2. This will change the 20 PSI range between start and stop pressure and may damage your tank's bladder or modify the efficiency of your water system.** Check system operation after each adjustment.

# SHALLOW WELL APPLICATION

## STEP 5

Install your pump and thread an adaptor into inlet.



## STEP 6

Cut poly pipe and connect both ends.

## STEP 3

Insert well seal elbow through the seal and attach to pipe.

## STEP 4

Install well seal and piping into well casing.

## STEP 2

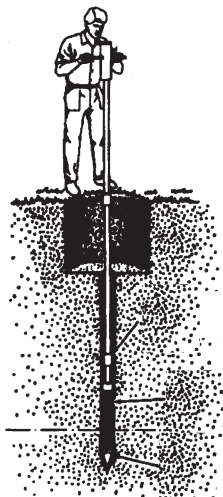
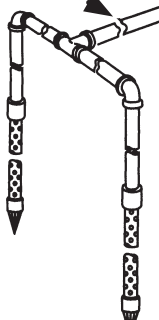
Cut poly pipe and install the check valve.

## Well point optional installation

## STEP 7

You may install one or more sand points to increase the supply of water.

Check valve, close to pump.





# TANK INSTALLATION

Snifter valve to adjust air pressure.

Pressure switch  
1/4" connection  
if not included  
with the pump.

Relief valve  
for pumps  
with more  
than 75 PSI of  
capacity 1/2"  
connection.

Pressure gauge  
1/4" connection.

Drain valve  
1/2" connection.

1" MNPT or 3/4"  
FNPT connection.

## STEP 9

Connect the pump  
discharge to the tank 'T'.

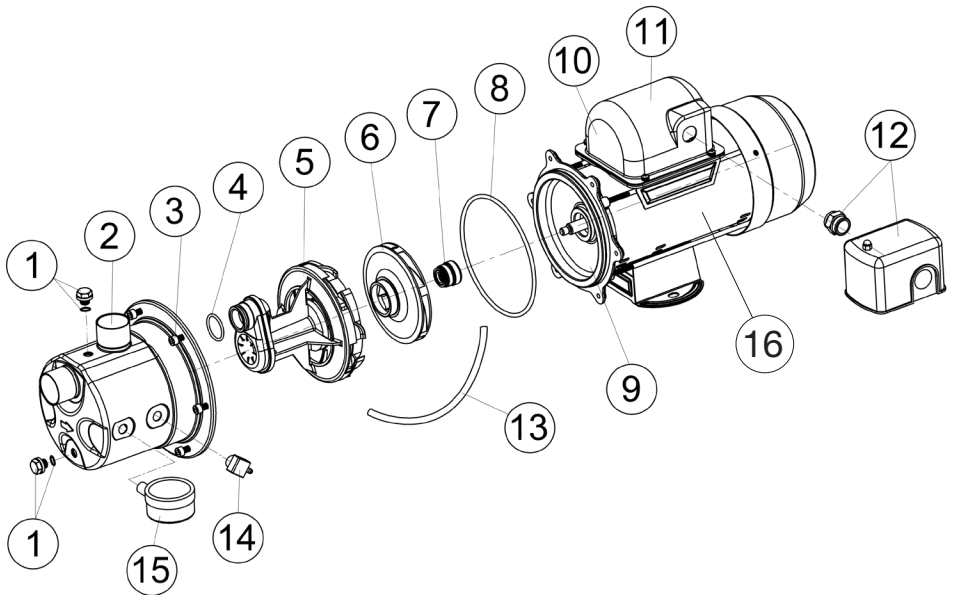
From well.

To home's plumbing  
distribution line.



# REPAIR PARTS

REF ITEM	DESCRIPTION	REF ITEM	DESCRIPTION		
1	510001	Priming / drainage plugs	9	510010.1	Seal plate
2	510000.1	Pump body	10	510161	Capacitor
3	510003	Pump body screws	11	510162	Junction box cover
4	510004	Venturi "O" ring	12	510018	Pressure switch
5	510005	Venturi / Diffuser	13	510017	Tube
6	510006	Impeller	14	510016	Tube elbow
7	510008.1	Mechanical seal	15	510002	Pressure gauge
8	510009	Seal plate "O" ring	16	510163	Complete motor



Repair parts may be ordered your authorized point of sale of from  
BURCAM PUMPS

# TROUBLE SHOOTING GUIDE CHECKLIST

NEVER MAKE ADJUSTMENTS TO ANY ELECTRICAL APPLIANCE OR PRODUCT WITH THE POWER CONNECTED. DON'T JUST UNSCREW THE FUSE OR TRIP THE BREAKER, REMOVE THE POWER FROM THE RECEPTACLE.

<b>TROUBLE</b>	<b>PROBABLE CAUSE</b>	<b>ACTION</b>
<b>Motor does not run.</b>	Switch is off position Blown fuse Tripped breaker Dirty pressure switch Defective pressure switch Defective motor	Turn switch to on position Replace Reset Clean Replace Replace
<b>Motor runs but no water is delivered.</b>	Pump not primed Leaky suction line Foot valve plugged Injector nozzle clogged Water level below foot valve Suction lift to great Improper voltage	Prime with clean water Check pipe and pipe connections Clean Clean Check foot valve level Water level lower than lift capacity Check voltage
<b>Pump does not deliver to full capacity.</b>	Water level below foot valve Injector nozzle clogged Excessive friction in pipe Improper voltage	Check foot valve level Clean Too small or dirty pipe Check voltage
<b>Pump does not shut off.</b>	Leaky discharge line Motor not up to normal speed Improper setting of pressure switch Ejector nozzle clogged	Check all pipes for leak Check power cable and voltage Reset or replace Clean
<b>Pump start stop too often.</b>	Pressure tank waterlogged Leaky foot valve Leaky suction line Foot valve do not close properly Pressure switch out of adjustment Leaky discharge line (toilet etc.)	Drain tank and restart Replace Check pipe and pipe connections Clean or replace Adjust ON/OFF setting Check all pipes for leak
<b>Air spurts from faucets.</b>	Leaky suction line Gaz in water Airlogged tank (galvanized)	Check pipe and pipe connections Check and consult factory Replace air volume control

## TO THE END CONSUMER

If you have any problems with the product, before advising the store, where you've purchased the pump, please contact us at **514 337-4415**, and ask for our sales department, and they will be pleased to help you with any questions you might have, concerning your installation.

2190 boul. Dagenais Ouest Tél. : 514.337.4415  
Laval (Québec) Fax : 514.337.4029  
Canada info@burcam.com  
H7L 5X9 voir [www.burcam.com](http://www.burcam.com)

## POMPE À JET

### MODÈLE 506522SS

Votre pompe a été soigneusement emballée à l'usine, pour prévenir les dommages possibles lors du transport. Toutefois, des dommages occasionnels peuvent être encourus par une mauvaise manutention. **Vérifiez soigneusement votre pompe** afin de détecter tout dommage possible qui pourrait causer un bris de la pompe. Signalez tout dommage au transporteur ou à votre point de vente.

S'il vous plaît, veuillez lire attentivement ces instructions. Le **défaut** de vous soumettre aux instructions et opérations **appropriées** à ce système peut **annuler** la garantie.

### LISEZ CE DOCUMENT EN ENTIER AVANT DE DÉBUTER L'INSTALLATION.

#### PROCESSUS D'AMORÇAGE

Suivre les instructions étape par étape, décrites à l'intérieur, pour installer votre pompe. Utiliser du ruban téflon sur tous les filetages.

(1) Remplir d'eau le tuyau d'aspiration et le raccorder à l'entrée de la pompe. (2) Enlever le bouchon d'amorçage et remplir le boîtier de la pompe. (3) Revisser le bouchon d'amorçage. (4) Brancher la pompe. La pompe devrait commencer à propulser de l'eau dans le système de distribution à l'intérieur de 30 secondes. Sinon, débrancher la pompe et répéter le processus à l'étape 2.

#### TENSION PLACÉE EN USINE À 115 V. CHANGEMENT DE TENSION DE RACCORDEMENT:

- Avant de changer la tension de raccordement:
- A) S'assurer que l'alimentation à la pompe est débranchée.
  - B) Ouvrir le couvercle de la boîte de jonction sur le moteur.
  - C) Veuillez glisser vers le bas le sélecteur de voltage pour obtenir du 115 V, ou vers le haut pour le 230 V.
  - D) Refermer le couvercle de la boîte de jonction sur le moteur.
  - E) Brancher à la source de voltage appropriée à l'interrupteur à pression.

Branchement  
de la décharge

2-3

1

Branchement  
de la suction

4



# CONSEILS DE SÉCURITÉ

**La pompe que vous venez d'acquérir est un produit fabriqué avec les meilleurs matériaux et par une main-d'oeuvre spécialisée. Veuillez suivre les instructions d'utilisation et prendre les précautions nécessaires pour votre sécurité :**

**A**

Consultez les normes de plomberie et d'électricité se rapportant à votre région, pour vous assurer des règles à respecter. Ces codes sont établis pour votre sécurité. Veuillez les respecter.

**B**

Nous recommandons qu'un circuit électrique soit installé du panneau de distribution de votre maison, et protégé par un fusible ou un coupe-circuit (disjoncteur). Le moteur doit être branché sécuritairement dans une prise 'GFCI' adéquate. Consultez un électricien licencié.

**C**

Le terminal de la mise à terre de votre prise de courant ne doit jamais être enlevé. Il est fourni et conçu pour votre sécurité.

**D**

Lors d'ajustement sur des appareils électriques, toujours s'assurer que le courant est débranché. Ne pas seulement enlever le fusible ou mettre le disjoncteur hors tension. Il faut débrancher le câble d'alimentation de la prise.

## VÉRIFICATION MENSUELLE OBLIGATOIRE :

1. Inspectez la pompe pour déceler toutes conditions nécessitant un nettoyage, une correction, un ajustement ou une réparation.
2. Nettoyez les environs de tous papiers, feuilles ou autres débris.
3. Assurez-vous que la pompe est sécurisée pour un fonctionnement adéquat.
4. Assurez-vous que tout matériel ou structure combustible est suffisamment éloigné de la pompe. Tout matériel entreposé doit être tenu à l'écart de la pompe. Les structures de placards ou d'armoires ne doivent pas être à proximité de la pompe. Les tablettes ne doivent pas être au-dessus de la pompe.
5. Assurez-vous que le moteur est sécuritairement branché dans une prise électrique GFCI adéquate.
6. Essayez la prise GFCI en pressant le bouton de test. Ceci confirmera que la prise est sous tension et déclenche correctement pour protéger d'une fuite à la terre. Soyez certain de remettre en fonction la prise GFCI en appuyant sur le bouton de réinitialisation (reset).
7. Vérifiez visuellement que la tuyauterie peut transporter l'eau sécuritairement dans la résidence.

## Matériel requis pour un puits foré (pour usage à l'intérieur seulement)

### Installation de la pompe en mode puits de surface

- Longueur nécessaire de tuyau de polyéthylène 100 lb/po<sup>2</sup>, approuvé CSA ou UL, pour relier le niveau de pompage du puits à la pompe.
- 1 clapet de pied 1" (750756 ou 750752P).
- 1 joint de puits, selon le diamètre requis (750929 6" x 1").
- 1 coude d'étanchéité 1" (750860).
- 2 adaptateurs mâles 1" (750865 or 750871).
- 8 brides d'acier inoxydable 1" (750885).
- Ruban de téflon.

### Installation du réservoir

- Longueur nécessaire de boyau renforcé 1" (750919) pour relier la pompe au réservoir. Garder le réservoir le plus près possible de la pompe.
- 1 T de réservoir (650651).
- 1 valve de drain (650659).
- 2 adaptateurs femelle 1".
- 1 adaptateur mâle 1" (750865 or 750871).
- 3 brides d'acier inoxydable 1" (750885).
- Ruban de téflon.

### Outils

Tournevis, scie à métaux et couteau pour la coupe des tuyaux, lime ronde pour adoucir les bouts de tuyaux, clé à tuyau, clé à molette ajustable pour serrer les adaptateurs, torche au propane et équipement de soudage.

### **AVIS**

Les composantes de ce produit ne sont pas conçues pour être en contact avec l'eau salée ou de la saumure. L'utilisation avec l'eau salée ou avec de la saumure annulera automatiquement l'application de la garantie.

## APPLICATION :

- Cette pompe est conçue pour un puits de surface dont le niveau d'eau est inférieur à 25 pieds.

## CAPACITÉ À 20 LBS/PO<sup>2</sup> :

25'	350 GPH US
20'	490 GPH US
15'	650 GPH US
10'	775 GPH US
5'	905 GPH US

Pertes dues à la friction  
non incluses.

## CARACTÉRISTIQUES :

- Boîtier en acier inoxydable 304, facile à amorcer.
- Moteur complètement fermé, refroidi par un ventilateur. Roulement à billes aux deux extrémités. Fabriquée pour un usage continu.
- Condensateur à fonctionnement continu, élimine l'usure due au démarrage.
- Protection thermique et de surcharge.
- Impulseur en Noryl, injecteur intégré.
- 1 CV, 115/230V AC, 60Hz, 9.0/4.5A (18.0/9.0A au démarrage).

# ÉTAPES D'INSTALLATION

## LA POMPE NE DOIT JAMAIS FONCTIONNER À SEC

### ÉTAPE 1

Nous recommandons que votre pompe soit installée à l'intérieur, dans un endroit propre et sec, où il y a un espace suffisant pour effectuer toute réparation ultérieure. Une ventilation adéquate et une protection contre le gel doit aussi être considérée, pour un environnement favorisant une durée de vie plus longue. En plaçant la pompe le plus près possible de la source d'eau, vous réduirez les pertes dues à la friction dans le tuyau de succion.

Si la distance horizontale de la pompe à la source d'eau est plus grande que 50 pieds, les tuyaux de succion devraient être agrandi de 1" à 1 1/4". Ceci réduira les pertes dues à la friction et permettra à la pompe d'offrir sa performance maximale.

Un nouveau puits devrait être inspecté pour s'assurer qu'il n'y a pas de sable. Avant de procéder à l'installation, le foreur doit avoir bien nettoyé le puits. Le sable endommagerait le sceau et l'impulseur.

**La pompe ne doit jamais fonctionner à sec.** Le sceau pourrait être endommagé. Il faut remplir le boîtier et le tuyau de succion avec de l'eau avant de procéder au branchement.

**N'OUBLIEZ PAS QUE LE TUYAU HORIZONTAL ALLANT DU HAUT DU PUIT JUSQU'À LA MAISON DOIT ÊTRE INSTALLÉ DANS UNE TRANCHÉE SOUS LE NIVEAU DU GEL DE VOTRE RÉGION.**

# APPLICATION POUR PUIITS DE SURFACE

VOIR LE DIAGRAMME À LA PAGE 7

## ÉTAPE 2

Couper la longueur désirée de tuyau du haut du puits au niveau de pompage. Adoucir les bouts du tuyau avec la lime ronde (Assurez-vous qu'aucun rebut de coupe ne reste à l'intérieur du tuyau. Ceci pourrait bloquer l'injecteur ou l'impulseur de votre pompe). Enrouler les filets de l'adaptateur mâle avec du ruban téflon et insérer l'adaptateur dans le clapet de pied. Glisser deux brides d'acier inoxydable sur un bout du tuyau et utiliser la torche au propane pour amollir le tuyau. Insérer l'adaptateur mâle et le clapet de pied dans le bout du tuyau. Serrer les brides avec le tournevis lorsque refroidi. **Pour contrer les risques de fuite, nous suggérons l'usage de 2 brides d'acier inoxydable sur chaque adaptateur.**

## ÉTAPE 3

Insérer le coude d'étanchéité dans le joint d'étanchéité. Glisser deux brides d'acier inoxydable à l'autre extrémité du tuyau et utiliser la torche au propane pour amollir le tuyau. Insérer le coude (partie inférieure sous le joint d'étanchéité) dans le bout du tuyau. Serrer les brides avec le tournevis lorsque refroidi.

## ÉTAPE 4

Installer le joint d'étanchéité et l'ensemble de tuyauterie à l'intérieur du puits et utiliser votre clé à molette ajustable pour serrer les écrous du joint d'étanchéité.

Pour faciliter l'accès futur, utiliser un adaptateur à coulisseau et un couvercle de puits scellé à la place du coude et du joint étanche des étapes 3 et 4.

## ÉTAPE 5

Installer votre pompe dans la maison sur une base solide, aussi près que possible du mur du sous-sol. Repérer l'entrée de succion à l'avant de la pompe et installer un adaptateur mâle en utilisant du ruban téflon sur les filets. Attention de ne pas trop serrer.

## ÉTAPE 6

Couper la longueur désirée de tuyau de l'emplacement de la pompe au joint d'étanchéité de votre puits et procéder au raccordement en utilisant la méthode précédente, avec les brides et la torche au propane.

**Ne pas remplir la tranchée avant de vous assurer qu'il n'y a aucune fuite dans vos raccords ou difficulté de fonctionnement du système d'eau.**

## ÉTAPE 7 pour pointes de puits

Les pointes de sable ou de puits sont limitées à des régions où le sable et/ou le gravier contiennent de l'eau sous la surface, et où il n'y a pas de roches ou rocs pour empêcher la pénétration de la pointe dans le sol. La quantité d'eau qu'une pointe de puits fournira est habituellement limitée. Quelquefois, il peut être nécessaire d'utiliser plus d'une pointe pour augmenter la quantité d'eau qui entre dans la pompe.

L'ÉTAPE IMPORTANTE DANS L'UTILISATION DE POINTE(S) DE PUIITS CONSISTE À INSTALLER UNE SOUPE DE RETENUE DANS LE TUYAU DE SUCCION MENANT À L'ENTRÉE DE LA POMPE, AUSSI PRÈS QUE POSSIBLE DE CELLE-CI, POUR GARDER LE TUYAU DE SUCCION BIEN AMORCÉ.

VOIR PAGE 8 POUR LES RÉSERVOIRS  
ET LE BRANCHEMENT ÉLECTRIQUE.

# INSTALLATION DU RÉSERVOIR

VOIR LE DIAGRAMME À LA PAGE 8

## ÉTAPE 9

Pour les ensembles de système d'eau dont la pompe et le réservoir ont déjà été assemblés en usine, le seul raccord à effectuer est de brancher la décharge de la pompe au réseau de plomberie de la maison. Pour les installations avec un réservoir séparé, nous recommandons l'usage d'un réservoir à air captif, ce qui signifie que l'air est préchargé à l'usine. Cette addition d'air à la pression atmosphérique augmente la capacité du réservoir à générer plus d'eau entre les cycles marche/arrêt de la pompe, accroissant ainsi l'efficacité du système d'eau. Il vous suffit de raccorder la décharge de la pompe au T du réservoir, à l'aide d'adaptateurs et d'un boyau renforcé. Finalement, raccorder l'autre côté de T au réseau de plomberie de la maison.

**Assurez-vous que la pression d'air pré-chargé (avant de brancher le réservoir) est de 2 livres inférieure à la pression de démarrage réglé sur l'interrupteur à pression de votre pompe.**

Si vous ajuster la pression de l'air après l'installation, veuillez suivre les étapes suivantes:

- Déterminer la pression de démarrage de la pompe à l'aide du manomètre ;
- Débrancher l'alimentation électrique ;
- Ouvrir le robinet le plus près du réservoir et laisser écouler l'eau jusqu'à ce que le réservoir soit complètement vide, puis refermer le robinet ;
- Ajuster la pression d'air du réservoir (en augmentant ou réduisant la pression au reniflard) à 2 livres sous la pression de démarrage de la pompe ;
- Rebrancher l'alimentation électrique.

Votre réservoir est maintenant adéquatement pré-chargé. Faire fonctionner la pompe quelques cycles afin d'en vérifier le bon fonctionnement.

## Réservoirs doublés de verre ou d'époxy

D'autres types de réservoirs peuvent être utilisés, tel les réservoirs galvanisés, doublés de verre ou d'époxy. Il s'agit cependant de produits considérés comme moins performants depuis l'avènement des réservoirs à air captif. Les réservoirs doublés de verre ou d'époxy avec une flotte installée à l'intérieur doivent être pré-chargés lors de l'installation. Assumant que le réservoir est relié à la pompe et que tous les raccords ont été vérifiés pour les fuites, effectuer les étapes suivantes pour le mettre en fonction :

- Faire fonctionner la pompe sur un cycle complet, jusqu'à ce qu'elle s'arrête;
- Débrancher l'alimentation électrique de la pompe;
- Ouvrir le robinet le plus près du réservoir et éliminer toute la pression dans le réservoir, puis refermer le robinet;
- Fermer la soupape entre le réservoir et le réseau de plomberie de la maison;
- Avec une pompe à pneus, injecter de l'air dans la soupape (reniflard) aspirante situé sur le réservoir.
- Surveiller le manomètre à pression de la pompe. Cesser d'injecter l'air lorsque la pression aura atteint 2 livres sous la pression de démarrage de la pompe ;
- Rebrancher l'alimentation électrique de la pompe;
- Faire fonctionner la pompe sur un cycle complet;
- Ouvrir la soupape entre le réservoir et le réseau de plomberie de la maison.

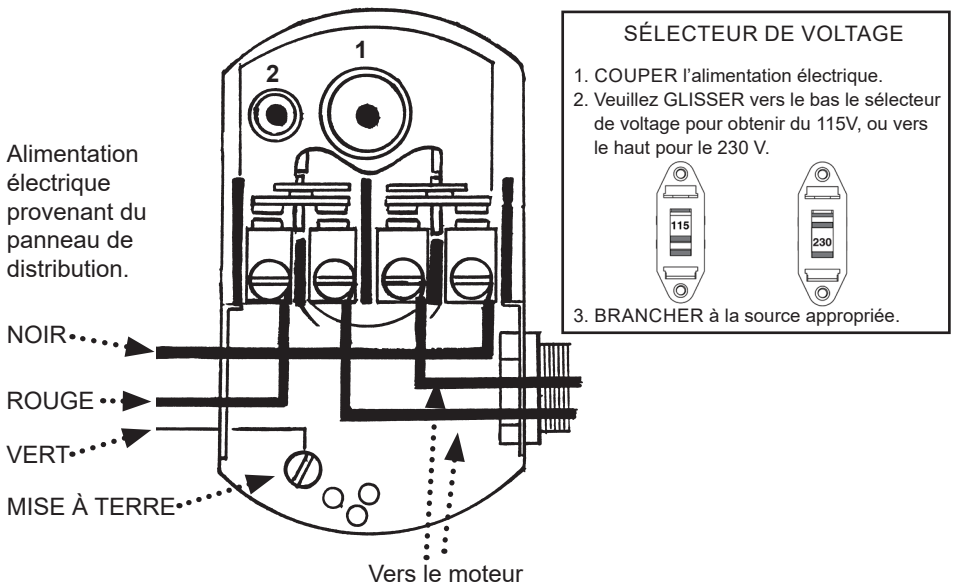
## Non recommandés pour les réservoirs galvanisés

Votre réservoir est maintenant correctement pré-chargé. Faire fonctionner la pompe quelques cycles afin de vérifier le bon fonctionnement.

Les réservoirs galvanisés nécessitent l'usage d'un contrôle de volume d'air. Cependant, nous déconseillons l'usage d'un tel réservoir avec votre pompe à jet. Ils sont recommandés pour les pompes à piston.



# INSTALLATION ÉLECTRIQUE



Nous recommandons qu'un électricien licencié effectue le branchement à l'interrupteur à pression. Le moteur doit être continuellement mis à terre en respectant les normes électriques se rapportant à votre région.

Ne pas utiliser de câble d'extension pour le branchement de votre pompe. Du panneau de distribution à l'interrupteur à pression, nous recommandons un fil électrique d'un calibre minimal de 14.

Cette pompe peut fonctionner sur 115V ou 230V. Le sélecteur de voltage est localisé dans la boîte de jonction. Le moteur est réglé sur 115V à l'usine. Pour sélectionner le 230V, ouvrir la boîte de jonction et régler le sélecteur au voltage approprié. (Voir le dessin ci-dessus, à droite).

Le réglage de l'interrupteur à pression (marche/arrêt 20/40 ou 30/50) a été fait à l'usine. Un ajustement peut être fait pour obtenir d'autres pressions d'opération.

L'ajustement ou la modification du réglage marche/arrêt de l'interrupteur à pression doit être fait d'une façon méticuleuse. **Tourner la vis un demi-tour à la fois.**

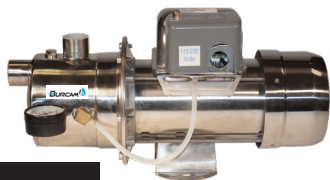
Tournez la vis 1 vers la droite pour hausser les pressions de démarrage et d'arrêt. **Ne pas modifier le réglage de la vis 2. Ceci changera l'écart de 20 PSI entre les pressions de démarrage et d'arrêt et pourra endommager le diaphragme du réservoir ou modifier l'efficacité du système d'eau.**

Vérifiez l'opération de la pompe après chaque ajustement.

# APPLICATION POUR PUIXS DE SURFACE

## ÉTAPE 5

Installer votre pompe et visser un adaptateur dans la succion.



## ÉTAPE 6

Couper le tuyau et raccorder les extrémités.

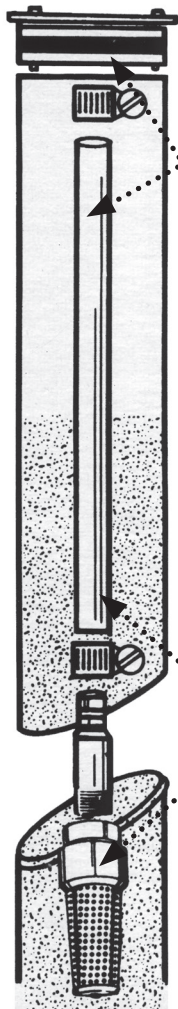


## ÉTAPE 3

Insérer le coude dans le sceau d'étanchéité et le raccorder au tuyau.

## ÉTAPE 4

Installer le sceau d'étanchéité et le tuyau dans le puits.



## ÉTAPE 2

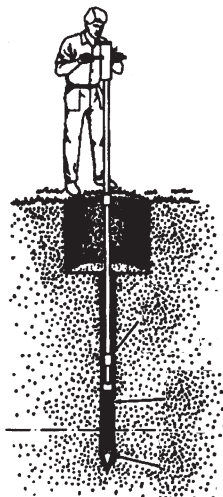
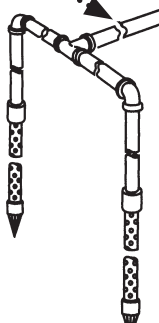
Couper le tuyau et installer le clapet de pied.

## Installation optionnelle de pointe à puits

### ÉTAPE 7

Vous pouvez installer une ou plusieurs pointes à puits pour augmenter l'alimentation en eau.

Clapet de retenue, près de la pompe.



# INSTALLATION DU RÉSERVOIR

Reniflard d'ajustement de la pression d'air.

Interrupteur à pression, raccord 1/4", sinon inclus avec la pompe.

Valve de sécurité pour les pompes développant plus de 75 lb/po, raccord 1/2".

Manomètre de pression, raccord 1/4".

Valve de drain raccord 1/2".

Raccord 3/4" FNPT ou 1" MNPT.

## ÉTAPE 9

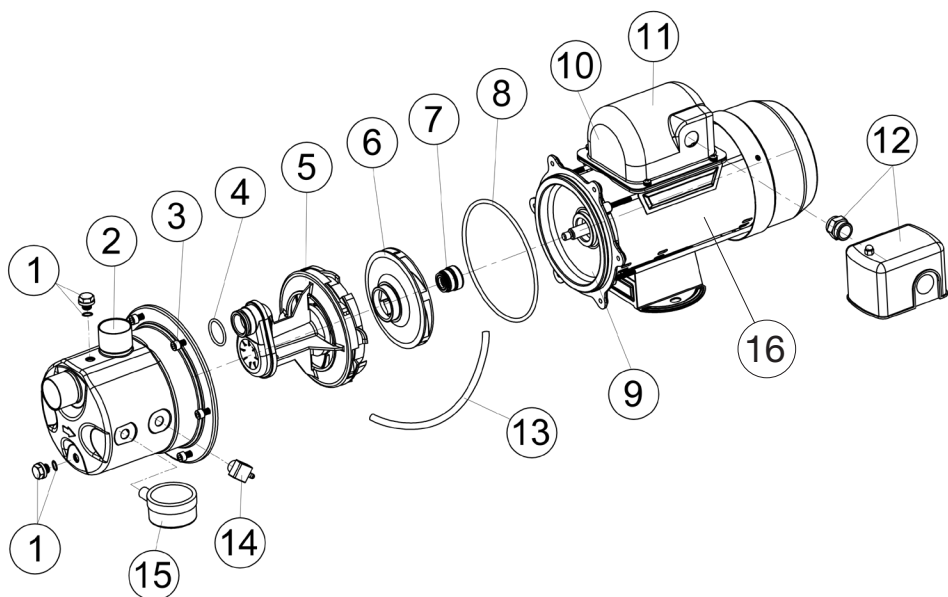
Raccorder la décharge de la pompe au 'T' du réservoir.

Du puits.

Vers le réseau de distribution de la maison.

# PIÈCES DE RECHANGE

RÉF	PIÈCES	DESCRIPTION	RÉF	PIÈCES	DESCRIPTION
1	510001	Bouchons d'amorçage / drainage	9	510010.1	Plaque du sceau
2	510000.1	Boîtier de la pompe	10	510161	Condensateur
3	510003	Boulons de boîtier	11	510162	Couvercle de boîte de jonction
4	510004	Rondelle du venturi	12	510018	Interrupteur à pression
5	510005	Venturi / Diffuseur	13	510017	Tube
6	510006	Impulseur	14	510016	Coude du tube
7	510008.1	Sceau mécanique	15	510002	Manomètre
8	510009	Rondelle de la plaque du sceau	16	510163	Moteur complet



Les pièces de rechange peuvent être commandées de votre point de vente autorisé ou de POMPES BURCAM

# GUIDE DE RÉOLUTION DES PROBLÈMES

LORS D'AJUSTEMENT SUR DES APPAREILS ÉLECTRIQUES, TOUJOURS S'ASSURER QUE LE COURANT EST DÉBRANCHÉ. NE PAS SEULEMENT ENLEVER LE FUSIBLE OU METTRE LE DISJONCTEUR HORS TENSION. IL FAUT DÉBRANCHER LE CÂBLE D'ALIMENTATION DE LA PRISE.

TROUBLE	PROBABLE CAUSE	ACTION
<b>Le moteur ne fonctionne pas.</b>	Commutateur hors circuit Fusible brûlé Disjoncteur déclenché Interrupteur à pression encrassé Interrupteur à pression défectueux Moteur défectueux	Remettre en circuit Remplacer Enclencher Nettoyer Remplacer Remplacer
<b>Le moteur tourne, mais il n'y a pas d'eau pompée.</b>	Pompe non amorcée Fuite dans le tuyaux de succion Clapet de pied bouché Bec de l'injecteur obstrué Niveau de l'eau trop bas Suction trop profonde Voltage inadéquat	Amorcer avec de l'eau propre Vérifier tous les joints et les tuyaux Nettoyer Nettoyer Vérifier la position du clapet de pied Niveau de l'eau sous la limite de succion Vérifier le voltage du circuit
<b>Le débit n'est pas à pleine capacité.</b>	Niveau de l'eau trop bas Bec de l'injecteur obstrué Friction excessive dans les tuyaux Voltage inadéquat	Vérifier la position du clapet de pied Nettoyer Tuyau encrassé ou trop petit Vérifier le voltage du circuit
<b>La pompe ne s'arrête pas.</b>	Fuite dans les tuyaux de décharge Moteur tourne trop lentement Interrupteur à pression mal ajusté Bec de l'injecteur obstrué	Vérifier qu'il n'y a pas de fuite Vérifier le câblage et le voltage Vérifier ou remplacer Nettoyer
<b>La pompe démarre et arrête trop souvent.</b>	Perte d'air dans le réservoir Fuite dans le clapet de pied Fuite dans le tuyau de succion Clapet de pied demeure ouvert Interrupteur à pression mal ajusté Fuite dans les tuyaux de décharge (toilette etc.)	Vider le réservoir et recharger Remplacer Vérifier tous les joints et les tuyaux Nettoyer ou remplacer Corriger le réglage Vérifier qu'il n'y a pas de fuite
<b>De l'air sort des robinets.</b>	Fuite dans le tuyau de succion Gaz dans l'eau Réservoir rempli d'air (galvanisé)	Vérifier tous les joints et les tuyaux Vérifier et consulter l'usine Remplacer le contrôle de volume d'air

## AU CONSOMMATEUR

Si vous connaissez des problèmes avec ce produit, avant d'appeler le magasin où vous en avez fait l'acquisition, s'il-vous-plaît, contactez notre service à la clientèle au **514 337-4415**. Ils se feront un plaisir de vous aider avec toutes les questions que vous auriez concernant l'installation.