

2190 Dagenais Blvd. West Tel. : 514.337.4415  
Laval (Quebec) Fax : 514.337.4029  
Canada info@burcam.com  
H7L 5X9 see us at [www.burcam.com](http://www.burcam.com)

Your pump has been carefully packaged at the factory to prevent damage during shipping. However, occasional damage may occur due to rough handling. **Carefully inspect your pump** for damages that could cause failures. Report any damage to your carrier or your point of purchase.

Please read these instructions carefully. **Failure** to comply to instructions and **designed** operation of this system, may **void** the warranty.

### READ THIS DOCUMENT IN TOTALITY PRIOR TO STARTING THE INSTALLATION.

#### PRIMING PROCESS

Follow all these step by step instructions to install your pump. Use teflon tape on all threads. (1) Fill the suction line with water and connect it to the suction inlet. (2) Remove the priming plug and fill the pump body with water. (3) Screw the plug to the priming inlet. (4) Turn the power on. The pump should deliver water to the plumbing line within 30 seconds. If not, unplug the pump and repeat the process at step 2.

## JET PUMPS

### MODELS

**506321/506721**  
(VERSION W 2015)

#### AND OTHER PRODUCTS

506327 506727  
506328 506728  
506331 506731  
etc.

#### FACTORY SET VOLTAGE 115 V TO CHANGE THE VOLTAGE :

- Before changing the voltage connection:
- A) Ensure the power to the pump is disconnected.
  - B) Open motor junction box cover.
  - C) Please select the up knob position for 115V or down knob position for 230V.
  - D) Close motor junction box.
  - E) Connect to appropriate voltage at pressure switch.

1" Discharge connection

2-3

1" Suction connection

4

# SAFETY INSTRUCTIONS

This fine pump that you have just purchased is designed from the latest in material and workmanship.

Before installation and operation, we recommend the following procedures :

**A**

Check with your local electrical and plumbing codes to ensure you comply with the regulations. These codes have been designed with your safety in mind. Be sure you comply with them.

**B**

We recommend that the pump be used on a separate circuit lead from the home electrical distribution panel, and which is protected with a fuse or a circuit breaker. The motor must be securely plugged into a proper 'GFCI' electrical outlet. Consult a licensed electrician for all wiring.

**C**

The ground terminal on the three prong plugs should never be removed. They are supplied and designed for your protection.

**D**

Never make adjustments to any electrical appliance or product with the power connected. Do not only unscrew the fuse or trip the breaker, remove the power plug from the receptacle.

## MONTHLY MANDATORY CHECK-UP :

1. Inspect the pump for any obvious condition that necessitates cleaning, correction, adjustment or repair.
2. Clear the surroundings of any paper, leaves or other debris.
3. Ensure that the pump is secure for proper operation.
4. Ensure that there is adequate clearance from any combustible materials or structure. Stored materials must be kept away from the pump. Shelves or cabinet structures must not be in close proximity to the pump.
5. Ensure that the motor is securely plugged into a proper 'GFCI' electrical outlet.
6. Test the 'GFCI' outlet by pressing its test switch. This should prove that the outlet is energized and will trip off to protect against a ground fault. Be sure to reset the 'GFCI' by pressing its reset switch.
7. Observe that the plumbing can carry the water safely into the residence.

## Material required for drilled well application (indoor use only)

### Shallow well pump installation

- Desired length of polyethylene 1" pipe, 100 PSI, CSA or UL approved, to link up from pumping level to pump.
- 1 1" foot valve (750756 or 750752P).
- 1 well seal, as per well casing diameter (750929 6" x 1").
- 1 1" well seal elbow (750860).
- 2 1" male adaptors (750865 or 750871).
- 8 1" stainless steel clamps (750885).
- Teflon tape.

### Tank installation

- Desired length of 1" braided hose (750919) to link up from pump to tank. Keep tank as close as possible from pump.
- 1 tank T (650651).
- 1 drain valve (650659).
- 2 1" female adaptor.
- 1 1" male adaptor (750865 or 750871).
- 3 1" stainless steel clamps (750885).
- Teflon tape.

### Deep well pump installation

- Desired length of polyethylene 1 and 1/4" pipe, 100 PSI, CSA or UL approved, to link up from pumping level to pump.
- 1 1" foot valve (750756 or 750752P).
- 1 well seal, as per well casing diameter (750926 6" x 1 1/4" x 1").
- 1 1" well seal elbow (750860).
- 1 1 1/4" well seal elbow (750861).
- 1 1 1/4" venturi adaptor (750864).
- 2 1" male adaptors (750865 or 750871).
- 1 1 1/4" male adaptor (750872).
- 8 1" stainless steel clamps (750885).
- 8 1/4" stainless steel clamps (750886).
- Teflon tape.

### Tools

Screwdrivers, hacksaw to cut pipe, knife to assist in pipe cutting, round file to smooth pipe ends, pipe wrench, adjustable wrench to tighten fittings, propane torch and welding material.

## APPLICATION :

- ❑ This pump is designed for shallow well installation for water level up to 25 feet with injector screwed on pump body; or for deep well installation for water level up to 70 feet, with 2 pipes and injector down in the well.

## ❑ CAPACITIES :

### SHALLOW WELL

	1/2 CV	3/4 CV
25'	280	310
5'	805	820
	US GPH	

### DEEP WELL

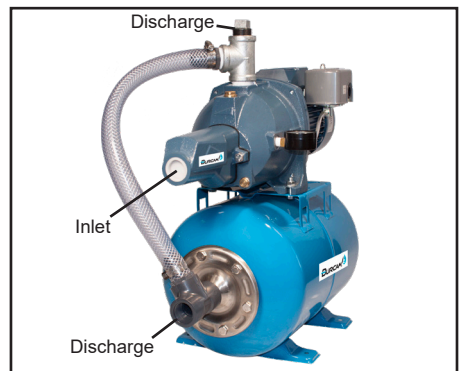
	1/2 CV	3/4 CV
70'	185	215
50'	650	685
	US GPH	

Friction loss in pipe not included.

## FEATURES :

- ❑ High performance Noryl impeller.
- ❑ Industrial motor totally enclosed, fan-cooled.
- ❑ Full-time connected run capacitor, to eliminate starting wear vs regular motor.
- ❑ Thermal and overload protection.
- ❑ Built for continuous use.
- ❑ 1/2 HP, 115/230VAC, 60Hz, 8.0/4.0A (16/8.0A when the pump start).
- ❑ 3/4 HP, 115/230VAC, 60Hz, 9.0/4.5A (18/9.0A when the pump start).

For factory assembled pump and tank system, skip step 9.



## INSTALLATION STEPS

### STEP 1

We recommend that you install your pump in a clean and dry location where there is adequate room for servicing at a later date. Protection from freezing temperatures and good ventilation should be considered as well, to provide the pump an environment for long life. Locating the pump as close as possible to the water source will reduce friction losses encountered in the suction pipe.

Friction losses in the suction pipe must be taken into consideration when the horizontal offset is greater than 50 feet. The suction pipes should be increased from 1" to 1/4". This will reduce friction losses and allow the pump to give maximum performance.

A new well should be checked to determine that it is free from sand. Sand will damage the seal and the impeller. Have your well driller clean the well before your installation.

**Never run the pump dry.** Damage to the seal may occur. Fill pump body and suction pipe with water before turning on the power.

THE RUN OF THE HORIZONTAL PIPE FROM THE TOP OF YOUR WELL INTO THE HOUSE, WHERE YOUR PUMP WILL BE LOCATED, MUST BE INSTALLED IN A TRENCH, BELOW THE FROST LEVEL OF YOUR AREA.

# SHALLOW WELL APPLICATION

SEE DIAGRAM ON PAGE 8

## STEP 2

Cut the desired length of poly pipe to run from the top of the well to the pumping level. Smooth the pipe cuttings with your round file. (Check that no cut-out parts are left inside of pipe. This may block pump injector or impeller).

Tape male adaptor threads with teflon tape and thread adaptor into the foot valve. Slide 2 stainless steel clamps over one end of pipe and use torch to soften pipe. Insert the male adaptor and foot valve into this pipe end. Tighten clamps with screwdriver. **For security against leaks, we suggest to install 2 stainless steel clamps on each adaptor.**

## STEP 3

Insert the well seal elbow thru the opening of the seal. Slide 2 stainless steel clamps over the free end of the previously cut pipe and soften pipe with your torch. Attach pipe to the well seal elbow (end protruding at bottom of well seal). Tighten clamps with screwdriver when cool.

## STEP 4

Install the well seal and piping assembly into your well casing. Tight down the seal bolts using your adjustable wrench.

To facilitate servicing at a later date, you may use a pitless adaptor and a sealed well cap instead of an elbow and a well seal as described in steps 3 and 4.

## STEP 5

Install your pump in the house, on a sound foundation, as close as possible to the basement wall. Thread an adaptor into inlet using teflon tape. Do not over tighten.

## STEP 6

Cut the desired length of pipe from pump location to the well seal and connect both ends using the previous way, with stainless steel clamps and torch. Before connecting your pipe to the pump, fill the suction line with water. **Do not fill in your trench to the house until you have checked for any leaks in your connections or trouble in your water system.**

## STEP 7 for sand or well point

Sand or well points are limited to areas where water bearing sand or gravel lies below the surface, and where there are no boulders or rocks to interfere with the driving into the ground of the point.

The amount of water any "one" well point will supply is usually rather limited. Sometimes, it is necessary to use more than one point to increase the supply of water entering to the pump's suction.

THE IMPORTANT INSTALLATION STEP IN USING WELL POINTS IS THAT A CHECK VALVE MUST BE USED IN THE SUCTION PIPE LEADING TO THE SUCTION INLET, AS CLOSE TO THE PUMP AS POSSIBLE, TO KEEP LINE AND PUMP WELL PRIMED.

CONTINUE ON PAGE 6 FOR TANKS  
AND ON PAGE 7 FOR ELECTRICAL INSTALLATION STEPS.

# DEEP WELL APPLICATION

SEE DIAGRAM ON PAGE 9

## STEP 2

Locate your injector body fixed to the pump body and remove it. Using teflon tape, screw the 1 1/4" venturi adaptor (750864) over the injector venturi tube, into the 1 1/4" opening of injector body. Install the 1" male thread adaptor in the 1" opening in injector body. Securely tighten both adaptors with pipe wrench.

## STEP 3

With teflon tape on threads, install a 1" nipple into the 1" foot valve, then screw this assembly into the 1" bottom opening of the injector.

## STEP 4

Cut the desired length of 1" and 1 1/4" poly pipes to run from the top of the well to the pumping level. Smooth the pipe cuttings with your round file. (Check that no cut-out parts are left inside of pipe. This may block pump injector or impeller). Slide 2 stainless steel clamps over one end of each pipe and use torch to soften pipe. Fix the 1" and 1 1/4" pipes respectively on the 1" adaptor and 1 1/4" venturi adaptor. Tighten clamps with screwdriver when cool. **For security against leaks, we suggest that you install 2 stainless steel clamps on each adaptor.**

## STEP 5

Insert both well seal elbows through their opening of the seal. Slide 2 stainless steel clamps over the free ends of the previously cut pipes and soften pipes with your torch. Attach pipes to the well seal elbows (ends protruding at bottom of well seal). Tighten clamps with screwdriver when cool.

## STEP 6

Install the well seal and the ejector piping assembly into your well casing. Tighten down the well seal bolts using your adjustable wrench.

To facilitate servicing at a later date, you may use a pitless adaptor and a sealed well cap instead of an elbow and a well seal as described in steps 3 and 4.

## STEP 7

Install your pump in the house, on a sound foundation, as close as possible to the basement wall. Locate the openings in the front of the pump body. Thread respectively 1" and 1 1/4" adaptors into corresponding openings using teflon tape. Do not over tighten.

## STEP 8

Cut the desired length of pipes from pump location to the well seal and connect both ends using the previous way, with stainless steel clamps and torch. **Do not fill in your trench to the house until you have checked for any leaks in your connections or trouble in your water system.**

CONTINUE ON PAGE 6 FOR TANKS  
AND ON PAGE 7 FOR ELECTRICAL INSTALLATION STEPS.

# TANK INSTALLATION

SEE DIAGRAM ON PAGE 10

## STEP 9 for captive air tanks

Packaged systems have the pump mounted directly to the tank. The pump to tank plumbing fittings are pre-assembled at the factory. You only have to connect the discharge line of your system to your home's plumbing distribution line. When using a separate tank from your pump, we recommend that you install a captive air tank as shown in our typical installation diagram. That has been pressurized with air in the tank. This air pressure inside the tank, which is in addition to atmospheric pressure, increases the ability of the tank to deliver more water between on/off cycles, thus increasing the efficiency of your water system. Connect the pump discharge to the tank T, using adaptors and braided hose, then, connect the other side of tank T to your home's plumbing distribution line.

**Make sure that the precharged air pressure (before connecting the tank) is 2 PSI less than the starting pressure setting on the pressure switch of your pump.**

If you adjust the air pressure after the installation, follow these steps:

- Check the starting pressure of the pump on the pressure gauge;
- Disconnect the power to the pump;
- Open nearest faucet to the tank and relieve all pressure in tank, then close the faucet;
- Adjust the air pressure of the tank (by pumping or removing air at the sniffer valve) to 2 PSI below the pressure switch "ON" setting;
- Turn power back on to pump.

Your tank is now properly precharged. Run the pump through a few cycles to verify that it works properly.

## For epoxy or glass lined tanks

Other types of tanks may be used, such as galvanized standard tanks, epoxy or glass lined tanks. These products do not achieve the benefits of the captive air tanks.

Epoxy or glass lined tanks with a float have to be precharged by the installer. Assuming tank is plumbed to pump and all connections are checked for leaks, follow these steps:

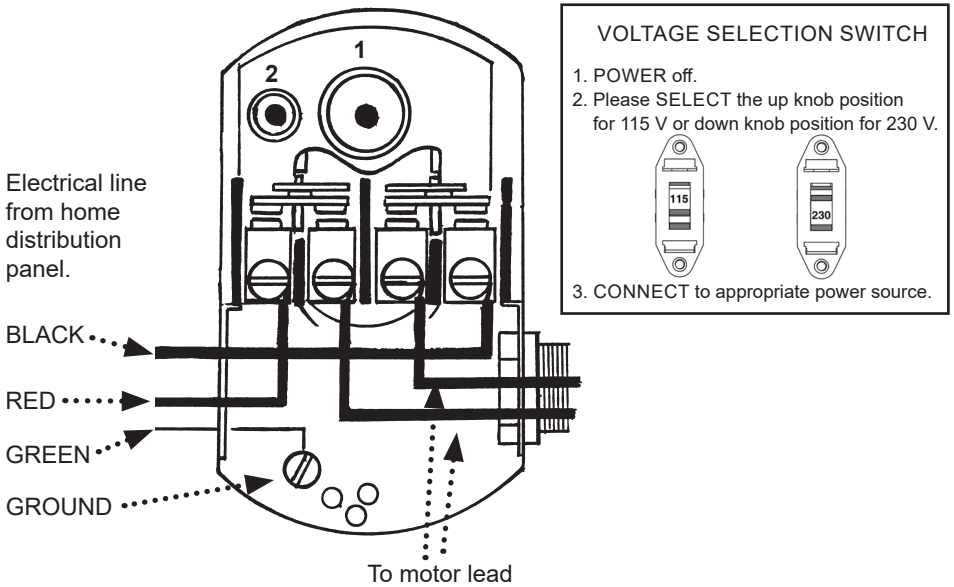
- Run pump through one complete cycle, until pump shuts off;
- Disconnect the power to the pump;
- Open nearest faucet to the tank and relieve all pressure in tank, then close the faucet;
- Close service line gate valve;
- With a car tire pump, inject air into the sniffer valve located in tank. Watch the pump pressure gauge and stop pumping air when the pressure reaches 2 PSI below pressure the switch "ON" setting;
- Return power back on to pump;
- Run pump through one complete cycle;
- Open service line gate valve.

Your tank is now properly precharged. Run the pump through a few cycles to verify that it works properly.

## Not recommended for galvanized tanks

Galvanized standard tanks require an air volume control to be used with a jet pump. We do not recommend the installation of this type of tank with your jet pump. This type of galvanized tank is recommended for piston pumps.

# ELECTRICAL INSTALLATION



We recommend that a licensed electrician be employed to do the proper wiring to the pressure switch, and to permanently ground the motor in accordance to the electrical codes in your area.

Do not use an extension cord to connect your pump to the power source. From your distribution panel to the pressure switch, we recommend a wire gauge not smaller than 14 gauge.

This is a dual voltage 115/230 pump. The voltage selection switch is located inside the terminal box, on the motor. The motor is factory wired at 115V. For 230V selection, please open the terminal cover and set the switch to the proper voltage. (See above drawing on right).

The pressure switch setting (start/stop 20/40 or 30/50) has been adjusted at the factory. Adjustments may be done to give other operating pressures.

Adjustment or modification of start/stop setting of pressure switch has to be done carefully. **Turn adjustment nut 1 a half turn at a time. (Do not adjust nut 2).**

Turn nut 1 clockwise to raise start and stop pressure setting. **Never turn nut 2. This will change the 20 PSI range between start and stop pressure and may damage your tank's bladder or modify the efficiency of your water system.** Check system operation after each adjustment.

# SHALLOW WELL APPLICATION

## STEP 5

Install your pump and thread an adaptor into inlet.



## STEP 6

Cut poly pipe and connect both ends.

## STEP 3

Insert well seal elbow through the seal and attach to pipe.

## STEP 4

Install well seal and piping into well casing.

## STEP 2

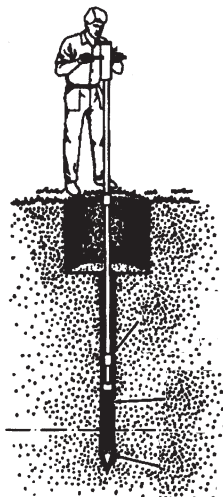
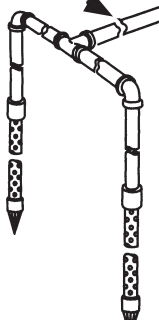
Cut poly pipe and install the check valve.

## Well point optional installation

### STEP 7

You may install one or more sand points to increase the supply of water.

Check valve,  
close to pump.

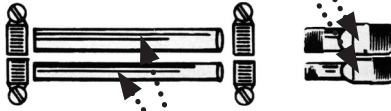




# DEEP WELL APPLICATION

## STEP 7

Install your pump and thread adaptors into their respective opening.



## STEP 8

Cut 1" and 1 1/4" poly pipes and connect both ends.

## STEP 5

Insert well seal elbows thru the seal and attach to pipe.

## STEP 6

Install well seal and piping into well casing.

## STEP 4

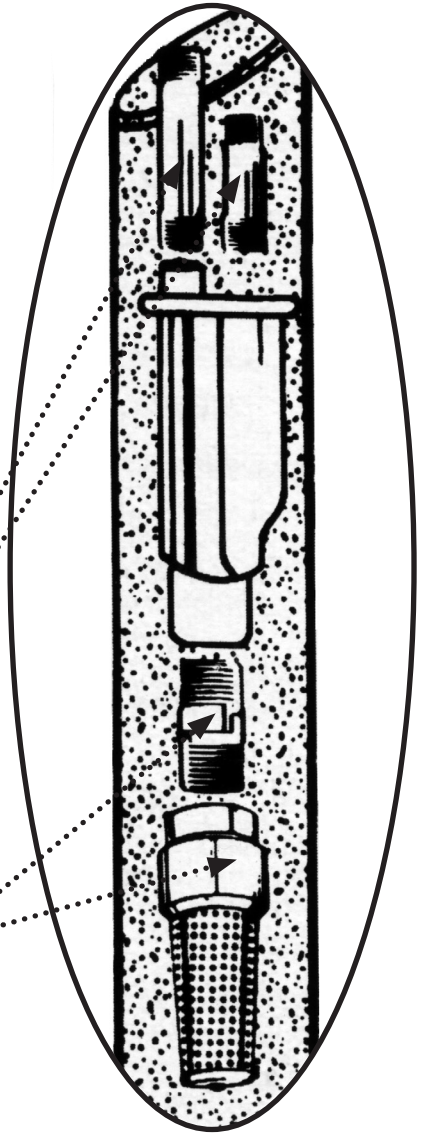
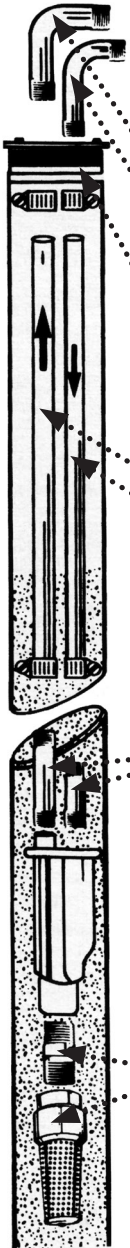
Cut 1" and 1 1/4" poly pipes.

## STEP 2

Screw 1 1/4" venturi adaptor and 1" adaptor into ejector body.

## STEP 3

Install 1" nipple into 1" foot valve, then screw into the ejector.



# TANK INSTALLATION

Snifter valve to adjust air pressure.

Pressure switch  
1/4" connection  
if not included  
with the pump.

Relief valve  
for pumps  
with more  
than 75 PSI of  
capacity 1/2"  
connection.

Pressure gauge  
1/4" connection.

Drain valve  
1/2" connection.

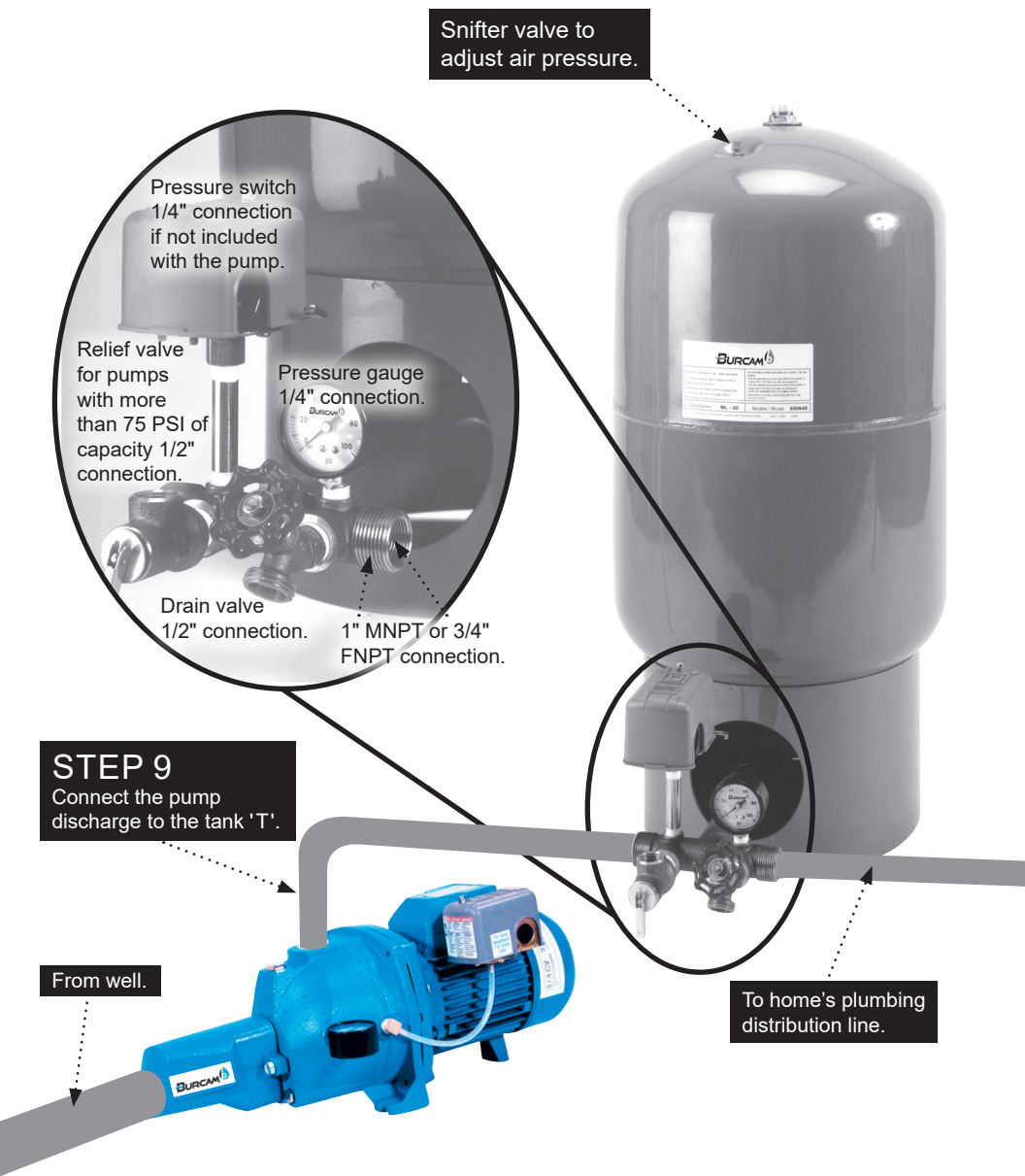
1" MNPT or 3/4"  
FNPT connection.

## STEP 9

Connect the pump  
discharge to the tank 'T'.

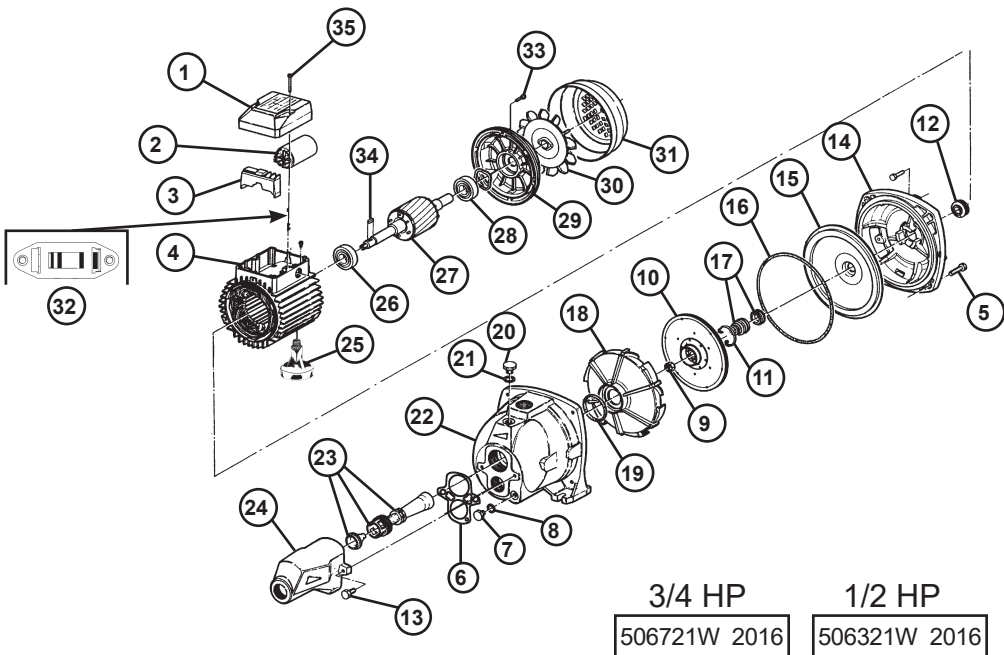
From well.

To home's plumbing  
distribution line.



# REPAIR PARTS

REF ITEM	DESCRIPTION	REF ITEM	DESCRIPTION
1	506014 Junction box cover	18	506317 Diffuser
2	506629 Motor capacitor	19	506298 Diffuser "O" ring
3	506065 Capacitor junction box	20	506300 Priming plug
4	506030W Stator 1/2HP	21	506400 Priming plug washer
4	506285W Stator 3/4HP	22	506286 C.I. pump body
5	506297 Pump body cap screw	23	506308W "O" ring, nozzle and venturi
6	506307 Ejector gasket	24	506306.1 Ejector body (only)
7	506299 Drain plug	25	506312 Motor foot
8	506315 Drain plug washer	26	506031 Pump side motor bearing
9	506022 Impeller nut	27	506314W Rotor 1/2HP
10	506294P Impeller 1/2HP	27	506284W Rotor 3/4HP
10	506292P Impeller 3/4HP	28	506032 Fan side motor bearing
11	506411 Seal snap ring	29	506296 Motor end bell
12	506026 Sand slinger	30	506017W Motor fan
13	506415 Ejector body screws (4)	31	506016 Fan cover
14	506289 Pump bracket	32	506094 115/230V selector
15	506287 Seal plate	33	506430 Screws (3)
16	506288 Pump body "O" ring	34	506318W Impeller shaft key
17	506637 Mechanical seal	35	506419 Cover bolt



Repair parts may be ordered your authorized point of sale of from  
BURCAM PUMPS

# TROUBLE SHOOTING GUIDE CHECKLIST

NEVER MAKE ADJUSTMENTS TO ANY ELECTRICAL APPLIANCE OR PRODUCT WITH THE POWER CONNECTED. DON'T JUST UNSCREW THE FUSE OR TRIP THE BREAKER, REMOVE THE POWER FROM THE RECEPTACLE.

<b>TROUBLE</b>	<b>PROBABLE CAUSE</b>	<b>ACTION</b>
<b>Motor does not run.</b>	Switch is off position Blown fuse Tripped breaker Dirty pressure switch Defective pressure switch Defective motor	Turn switch to on position Replace Reset Clean Replace Replace
<b>Motor runs but no water is delivered.</b>	Pump not primed Leaky suction line Foot valve plugged Injector nozzle clogged Water level below foot valve Suction lift to great Improper voltage	Prime with clean water Check pipe and pipe connections Clean Clean Check foot valve level Water level lower than lift capacity Check voltage
<b>Pump does not deliver to full capacity.</b>	Water level below foot valve Injector nozzle clogged Excessive friction in pipe Improper voltage	Check foot valve level Clean Too small or dirty pipe Check voltage
<b>Pump does not shut off.</b>	Leaky discharge line Motor not up to normal speed Improper setting of pressure switch Ejector nozzle clogged	Check all pipes for leak Check power cable and voltage Reset or replace Clean
<b>Pump start stop too often.</b>	Pressure tank waterlogged Leaky foot valve Leaky suction line Foot valve do not close properly Pressure switch out of adjustment Leaky discharge line (toilet etc.)	Drain tank and restart Replace Check pipe and pipe connections Clean or replace Adjust ON/OFF setting Check all pipes for leak
<b>Air spurts from faucets.</b>	Leaky suction line Gaz in water Airlogged tank (galvanized)	Check pipe and pipe connections Check and consult factory Replace air volume control

## TO THE END CONSUMER

If you have any problems with the product, before advising the store, where you've purchased the pump, please contact us at **514 337-4415**, and ask for our sales department, and they will be pleased to help you with any questions you might have, concerning your installation.

2190 boul. Dagenais Ouest Tél. : 514.337.4415  
Laval (Québec) Fax : 514.337.4029  
Canada info@burcam.com  
H7L 5X9 voir [www.burcam.com](http://www.burcam.com)

Votre pompe a été soigneusement emballée à l'usine, pour prévenir les dommages possibles lors du transport. Toutefois, des dommages occasionnels peuvent être encourus par une mauvaise manutention. **Vérifiez soigneusement votre pompe** afin de détecter tout dommage possible qui pourrait causer un bris de la pompe. Signalez tout dommage au transporteur ou à votre point de vente.

S'il vous plaît, veuillez lire attentivement ces instructions. Le **défaut** de vous soumettre aux instructions et opérations **appropriées** à ce système peut **annuler** la garantie.

### LISEZ CE DOCUMENT EN ENTIER AVANT DE DÉBUTER L'INSTALLATION.

#### PROCESSUS D'AMORÇAGE

Suivre les instructions étape par étape, décrites à l'intérieur, pour installer votre pompe. Utiliser du ruban téflon sur tous les filetages. (1) Remplir d'eau le tuyau d'aspiration et le raccorder à l'entrée de la pompe. (2) Enlever le bouchon d'amorçage et remplir le boîtier de la pompe. (3) Revisser le bouchon d'amorçage. (4) Brancher la pompe. La pompe devrait commencer à propulser de l'eau dans le système de distribution à l'intérieur de 30 secondes. Sinon, débrancher la pompe et répéter le processus à l'étape 2.

### MODÈLES 506321/506721 (VERSION W 2015)

#### ET AUTRES PRODUITS

506327	506727
506328	506728
506331	506731

etc.

#### TENSION PLACÉE EN USINE À 115 V. CHANGEMENT DE TENSION DE RACCORDEMENT:

- Avant de changer la tension de raccordement:
- A) S'assurer que l'alimentation à la pompe est débranchée.
  - B) Ouvrir le couvercle de la boîte de jonction sur le moteur.
  - C) Veuillez glisser vers le bas le sélecteur de voltage pour obtenir du 115 V, ou vers le haut pour le 230 V.
  - D) Refermer le couvercle de la boîte de jonction sur le moteur.
  - E) Brancher à la source de voltage appropriée à l'interrupteur à pression.

Branchement de la  
décharge de 1"

2-3

Branchement de  
la succion de 1"

4

# CONSEILS DE SÉCURITÉ

**La pompe que vous venez d'acquérir est un produit fabriqué avec les meilleurs matériaux et par une main-d'oeuvre spécialisée. Veuillez suivre les instructions d'utilisation et prendre les précautions nécessaires pour votre sécurité :**

- A** Consultez les normes de plomberie et d'électricité se rapportant à votre région, pour vous assurer des règles à respecter. Ces codes sont établis pour votre sécurité. Veuillez les respecter.
- B** Nous recommandons qu'un circuit électrique soit installé du panneau de distribution de votre maison, et protégé par un fusible ou un coupe-circuit (disjoncteur). Le moteur doit être branché sécuritairement dans une prise 'GFCI' adéquate. Consultez un électricien licencié.
- C** Le terminal de la mise à terre de votre prise de courant ne doit jamais être enlevé. Il est fourni et conçu pour votre sécurité.
- D** Lors d'ajustement sur des appareils électriques, toujours s'assurer que le courant est débranché. Ne pas seulement enlever le fusible ou mettre le disjoncteur hors tension. Il faut débrancher le câble d'alimentation de la prise.

## VÉRIFICATION MENSUELLE OBLIGATOIRE :

1. Inspectez la pompe pour déceler toutes conditions nécessitant un nettoyage, une correction, un ajustement ou une réparation.
2. Nettoyez les environs de tous papiers, feuilles ou autres débris.
3. Assurez-vous que la pompe est sécurisée pour un fonctionnement adéquat.
4. Assurez-vous que tout matériel ou structure combustible est suffisamment éloigné de la pompe. Tout matériel entreposé doit être tenu à l'écart de la pompe. Les structures de placards ou d'armoires ne doivent pas être à proximité de la pompe. Les tablettes ne doivent pas être au-dessus de la pompe.
5. Assurez-vous que le moteur est sécuritairement branché dans une prise électrique GFCI adéquate.
6. Essayez la prise GFCI en pressant le bouton de test. Ceci confirmera que la prise est sous tension et déclenche correctement pour protéger d'une fuite à la terre. Soyez certain de remettre en fonction la prise GFCI en appuyant sur le bouton de réinitialisation (reset).
7. Vérifiez visuellement que la tuyauterie peut transporter l'eau sécuritairement dans la résidence.

## Matériel requis pour un puits foré (pour usage à l'intérieur seulement)

### Installation de la pompe en mode puits de surface

- Longueur nécessaire de tuyau de polyéthylène 100 lb/po<sup>2</sup>, approuvé CSA ou UL, pour relier le niveau de pompage du puits à la pompe.
- 1 clapet de pied 1" (750756 or 750752P).
- 1 joint de puits, selon le diamètre requis (750929 6" x 1").
- 1 coude d'étanchéité 1" (750860).
- 2 adaptateurs mâles 1" (750865 or 750871).
- 8 brides d'acier inoxydable 1" (750885).
- Ruban de téflon.

### Installation du réservoir

- Longueur nécessaire de boyau renforcé 1" (750919) pour relier la pompe au réservoir. Garder le réservoir le plus près possible de la pompe.
- 1 T de réservoir (650651).
- 1 valve de drain (650659).
- 2 adaptateurs femelle 1".
- 1 adaptateur mâle 1" (750865 or 750871).
- 3 brides d'acier inoxydable 1" (750885).
- Ruban de téflon.

### Installation de la pompe en mode puits profond

- Longueur nécessaire de tuyau de polyéthylène de 1" et de 1 1/4", 100 lb/po<sup>2</sup>, approuvé CSA ou UL, pour relier le niveau de pompage du puits à la pompe.
- 1 clapet de pied 1" (750756 or 750752P).
- 1 joint de puits, selon le diamètre requis (750926 6" x 1 1/4" x 1").
- 1 coude d'étanchéité 1" (750860).
- 1 coude d'étanchéité 1 1/4" (750861).
- 1 adaptateur venturi 1 1/4" (750864).
- 2 adaptateurs mâles 1" (750865 or 750871).
- 1 adaptateur mâle 1 1/4" (750872).
- 8 brides d'acier inoxydable 1" (750885).
- 8 brides d'acier inoxydable 1/4" (750886).
- Ruban de téflon.

### Outils

Tournevis, scie à métaux et couteau pour la coupe des tuyaux, lime ronde pour adoucir les bouts de tuyaux, clé à tuyau, clé à molette ajustable pour serrer les adaptateurs, torche au propane et équipement de soudage.

## APPLICATION :

❑ Cette pompe est conçue pour un puits de surface dont le niveau d'eau est inférieur à 25 pieds, avec l'éjecteur fixé au boîtier de la pompe ; ou pour un puits profond dont le niveau d'eau est inférieur à 70 pieds, avec 2 tuyaux et l'éjecteur installé dans le puits.

## ❑ CAPACITÉS :

### PUITS DE SURFACE

	1/2 CV	3/4 CV
25'	280	310
5'	805	820
	GPH US	

### PUITS PROFOND

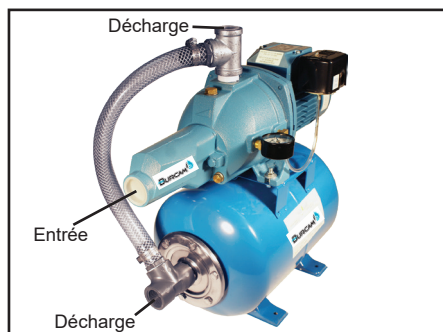
	1/2 CV	3/4 CV
70'	185	215
50'	650	685
	GPH US	

Pertes dues à la friction non incluses.

## CARACTÉRISTIQUES :

- ❑ Impulseur haute performance en Noryl.
- ❑ Moteur industriel totalement fermé, refroidi par un ventilateur.
- ❑ Condensateur à fonctionnement continu, élimine l'usure due au démarrage.
- ❑ Protection thermique et de surcharge.
- ❑ Fabriqué pour un fonctionnement continu.
- ❑ 1/2 CV, 115/230VAC, 60Hz, 8.0/4.0A (16/8.0A au démarrage).
- ❑ 3/4 HP, 115/230VAC, 60Hz, 9.0/4.5A (18/9.0A au démarrage).

L'étape 9 n'est pas requise pour les systèmes pompes-réservoirs pré-assemblés en usine.



## ÉTAPES D'INSTALLATION

### ÉTAPE 1

Nous recommandons que votre pompe soit installée à l'intérieur, dans un endroit propre et sec, où il y a un espace suffisant pour effectuer toute réparation ultérieure. En plaçant la pompe le plus près possible de la source d'eau, vous réduirez les pertes dues à la friction dans le tuyau de succion.

Si la distance horizontale de la pompe à la source d'eau est plus grande que 50 pieds, les tuyaux de succion devraient être agrandis de 1" à 1 1/4". Ceci réduira les pertes dues à la friction et permettra à la pompe d'offrir sa performance maximale.

Un nouveau puits devrait être inspecté pour s'assurer qu'il n'y a pas de sable. Avant de procéder à l'installation, le foreur doit avoir bien nettoyé le puits. Le sable endommagerait le sceau et l'impulseur.

**La pompe ne doit jamais fonctionner à sec.** Le sceau pourrait être endommagé. Il faut remplir le boîtier et le tuyau de succion avec de l'eau avant de procéder au branchement.

**N'OUBLIEZ PAS QUE LE TUYAU HORIZONTAL ALLANT DU HAUT DU PUIT JUSQU'À LA MAISON DOIT ÊTRE INSTALLÉ DANS UNE TRANCHÉE SOUS LE NIVEAU DU GEL DE VOTRE RÉGION.**

# APPLICATION POUR PUIXS DE SURFACE

VOIR LE DIAGRAMME À LA PAGE 8

## ÉTAPE 2

Couper la longueur désirée de tuyau du haut du puits au niveau de pompage. Adoucir les bouts du tuyau avec la lime ronde (Assurez-vous qu'aucun rebut de coupe ne reste à l'intérieur du tuyau. Ceci pourrait bloquer l'injecteur ou l'impulseur de votre pompe). Enrouler les filets de l'adaptateur mâle avec du ruban téflon et insérer l'adaptateur dans le clapet de pied. Glisser deux brides d'acier inoxydable sur un bout du tuyau et utiliser la torche au propane pour amollir le tuyau. Insérer l'adaptateur mâle et le clapet de pied dans le bout du tuyau. Serrer les brides avec le tournevis lorsque refroidi. **Pour contrer les risques de fuite, nous suggérons l'usage de 2 brides d'acier inoxydable sur chaque adaptateur.**

## ÉTAPE 3

Insérer le coude d'étanchéité dans le joint d'étanchéité. Glisser deux brides d'acier inoxydable à l'autre extrémité du tuyau et utiliser la torche au propane pour amollir le tuyau. Insérer le coude (partie inférieure sous le joint d'étanchéité) dans le bout du tuyau. Serrer les brides avec le tournevis lorsque refroidi.

## ÉTAPE 4

Installer le joint d'étanchéité et l'ensemble de tuyauterie à l'intérieur du puits et utiliser votre clé à molette ajustable pour serrer les écrous du joint d'étanchéité.

Pour faciliter l'accès futur, utiliser un adaptateur à coulisseau et un couvercle de puits scellé à la place du coude et du joint étanche des étapes 3 et 4.

## ÉTAPE 5

Installer votre pompe dans la maison sur une base solide, aussi près que possible du mur du sous-sol. Repérer l'entrée de succion à l'avant de la pompe et installer un adaptateur mâle en utilisant du ruban téflon sur les filets. Attention de ne pas trop serrer.

## ÉTAPE 6

Couper la longueur désirée de tuyau de l'emplacement de la pompe au joint d'étanchéité de votre puits et procéder au raccordement en utilisant la méthode précédente, avec les brides et la torche au propane.

**Ne pas remplir la tranchée avant de vous assurer qu'il n'y a aucune fuite dans vos raccords ou difficulté de fonctionnement du système d'eau.**

## ÉTAPE 7 pour pointes de puits

Les pointes de sable ou de puits sont limitées à des régions où le sable et/ou le gravier contiennent de l'eau sous la surface, et où il n'y a pas de roches ou rocs pour empêcher la pénétration de la pointe dans le sol. La quantité d'eau qu'une pointe de puits fournira est habituellement limitée. Quelquefois, il peut être nécessaire d'utiliser plus d'une pointe pour augmenter la quantité d'eau qui entre dans la pompe.

L'ÉTAPE IMPORTANTE DANS L'UTILISATION DE POINTE(S) DE PUIXS CONSISTE À INSTALLER UNE SOUPE DE RETENUE DANS LE TUYAU DE SUCCION MENANT À L'ENTRÉE DE LA POMPE, AUSSI PRÈS QUE POSSIBLE DE CELLE-CI, POUR GARDER LE TUYAU DE SUCCION BIEN AMORCÉ.

VOIR PAGE 6 POUR LES RÉSERVOIRS  
ET PAGE 7 POUR LE BRANCHEMENT ÉLECTRIQUE.



# APPLICATION POUR PUIITS PROFOND

VOIR LE DIAGRAMME À LA PAGE 9

## ÉTAPE 2

Localiser votre boîtier d'éjecteur fixé au boîtier de la pompe et dévissez le. En utilisant du ruban téflon, visser l'adaptateur venturi de 1 1/4" (750864) dans l'ouverture de 1 1/4" du boîtier de l'éjecteur, pour recouvrir le tube venturi de l'injecteur. Installer l'adaptateur mâle 1" dans l'ouverture de 1" du boîtier de l'éjecteur. Bien serrer les 2 adaptateurs avec une clé à tuyau.

## ÉTAPE 3

En utilisant du ruban téflon, installer un raccord 1" dans le clapet de pieds 1", puis visser l'ensemble dans l'ouverture inférieure de 1" du boîtier de l'éjecteur.

## ÉTAPE 4

Couper la longueur désirée de tuyau 1" et 1 1/4" du haut du puits au niveau de pompage. Adoucir les bouts des tuyaux avec la lime ronde (Assurez-vous qu'aucun rebut de coupe ne reste à l'intérieur du tuyau. Ceci pourrait bloquer l'éjecteur ou l'impulseur de votre pompe). Glisser deux brides d'acier inoxydable sur un bout de chaque tuyau et utiliser la torche au propane pour amollir le tuyau. Insérer les adaptateurs mâle de 1" et 1 1/4" dans les bouts des tuyaux. Serrer les brides avec le tournevis lorsque refroidi. **Pour contrer les risques de fuite, nous suggérons l'usage de 2 brides d'acier inoxydable sur chaque adaptateur.**

## ÉTAPE 5

Insérer les coudes d'étanchéité dans le joint d'étanchéité. Glisser deux brides d'acier inoxydable à l'autre extrémité des tuyaux et utiliser la torche au propane pour amollir les tuyaux. Insérer les coudes (partie inférieure sous le joint d'étanchéité) dans les bouts des tuyaux. Serrer les brides avec le tournevis lorsque refroidi.

## ÉTAPE 6

Installer le joint d'étanchéité et l'ensemble de tuyauterie à l'intérieur du puits et utiliser votre clé à molette ajustable pour serrer les écrous du joint d'étanchéité.

Pour faciliter l'accès futur, utiliser un adaptateur à coulisseau et un couvercle de puits scellé à la place des coudes et du joint étanche des étapes 3 et 4.

## ÉTAPE 7

Installer votre pompe dans la maison sur une base solide, aussi près que possible du mur du sous-sol. Repérer les entrées à l'avant de la pompe. Installer les adaptateurs mâle dans les ouvertures correspondantes en utilisant du ruban téflon sur les filets. Attention de ne pas trop serrer.

## ÉTAPE 8

Couper la longueur désirée des tuyaux de l'emplacement de la pompe au joint d'étanchéité de votre puits et procéder au raccordement en utilisant la méthode précédente, avec les brides et la torche au propane. **Ne pas remplir la tranchée avant de vous assurer qu'il n'y a aucune fuite dans vos raccords ou difficulté de fonctionnement du système d'eau.**

# INSTALLATION DU RÉSERVOIR

VOIR LE DIAGRAMME À LA PAGE 10

## ÉTAPE 9 réservoirs à air captif

Pour les ensembles de système d'eau dont la pompe et le réservoir ont déjà été assemblés en usine, le seul raccord à effectuer est de brancher la décharge de la pompe au réseau de plomberie de la maison. Pour les installations avec un réservoir séparé, nous recommandons l'usage d'un réservoir à air captif, ce qui signifie que l'air est préchargé à l'usine. Cette addition d'air à la pression atmosphérique augmente la capacité du réservoir à générer plus d'eau entre les cycles marche/arrêt de la pompe, accroissant ainsi l'efficacité du système d'eau. Il vous suffit de raccorder la décharge de la pompe au T du réservoir, à l'aide d'adaptateurs et d'un boyau renforcé. Finalement, raccorder l'autre côté de T au réseau de plomberie de la maison.

**Assurez-vous que la pression d'air pré-chargé (avant de brancher le réservoir) est de 2 livres inférieure à la pression de démarrage réglé sur l'interrupteur à pression de votre pompe.**

Si vous ajuster la pression de l'air après l'installation, veuillez suivre les étapes suivantes:

- Déterminer la pression de démarrage de la pompe à l'aide du manomètre ;
- Débrancher l'alimentation électrique ;
- Ouvrir le robinet le plus près du réservoir et laisser écouler l'eau jusqu'à ce que le réservoir soit complètement vide, puis refermer le robinet ;
- Ajuster la pression d'air du réservoir (en augmentant ou réduisant la pression au reniflard) à 2 livres sous la pression de démarrage de la pompe ;
- Rebrancher l'alimentation électrique.

Votre réservoir est maintenant adéquatement pré-chargé. Faire fonctionner la pompe quelques cycles afin d'en vérifier le bon fonctionnement.

## Réservoirs doublés de verre ou d'époxy

D'autres types de réservoirs peuvent être utilisés, tel les réservoirs galvanisés, doublés de verre ou d'époxy. Il s'agit cependant de produits considérés comme moins performants depuis l'avènement des réservoirs à air captif. Les réservoirs doublés de verre ou d'époxy avec une flotte installée à l'intérieur doivent être pré-chargés lors de l'installation. Assumant que le réservoir est relié à la pompe et que tous les raccords ont été vérifiés pour les fuites, effectuer les étapes suivantes pour le mettre en fonction :

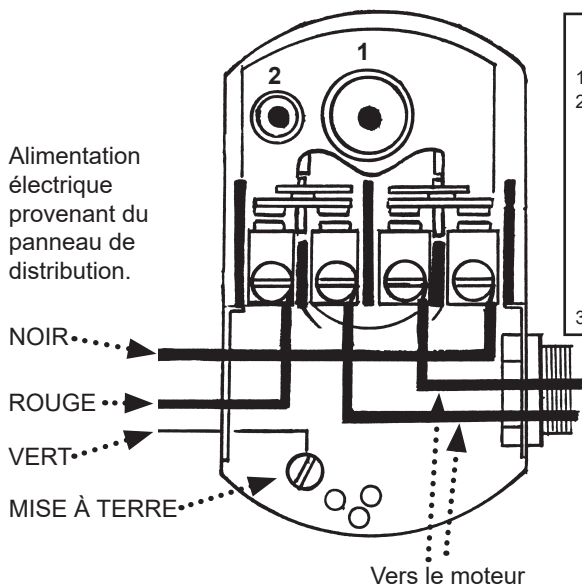
- Faire fonctionner la pompe sur un cycle complet, jusqu'à ce qu'elle s'arrête;
- Débrancher l'alimentation électrique de la pompe;
- Ouvrir le robinet le plus près du réservoir et éliminer toute la pression dans le réservoir, puis refermer le robinet;
- Fermer la soupape entre le réservoir et le réseau de plomberie de la maison;
- Avec une pompe à pneus, injecter de l'air dans la soupape (reniflard) aspirante situé sur le réservoir.
- Surveiller le manomètre à pression de la pompe. Cesser d'injecter l'air lorsque la pression aura atteint 2 livres sous la pression de démarrage de la pompe ;
- Rebrancher l'alimentation électrique de la pompe;
- Faire fonctionner la pompe sur un cycle complet;
- Ouvrir la soupape entre le réservoir et le réseau de plomberie de la maison.

## Non recommandés pour les réservoirs galvanisés

Votre réservoir est maintenant correctement pré-chargé. Faire fonctionner la pompe quelques cycles afin de vérifier le bon fonctionnement.

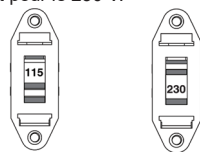
Les réservoirs galvanisés nécessitent l'usage d'un contrôle de volume d'air. Cependant, nous déconseillons l'usage d'un tel réservoir avec votre pompe à jet. Ils sont recommandés pour les pompes à piston.

# INSTALLATION ÉLECTRIQUE



## SÉLECTEUR DE VOLTAGE

1. COUPER l'alimentation électrique.
2. Veuillez GLISSER vers le bas le sélecteur de voltage pour obtenir du 115V, ou vers le haut pour le 230 V.



3. BRANCHER à la source appropriée.

Nous recommandons qu'un électricien licencié effectue le branchement à l'interrupteur à pression. Le moteur doit être continuellement mis à terre en respectant les normes électriques se rapportant à votre région.

Ne pas utiliser de câble d'extension pour le branchement de votre pompe. Du panneau de distribution à l'interrupteur à pression, nous recommandons un fil électrique d'un calibre minimal de 14.

Cette pompe peut fonctionner sur 115V ou 230V. Le sélecteur de voltage est localisé dans la boîte de jonction. Le moteur est réglé sur 115V à l'usine. Pour sélectionner le 230V, ouvrir la boîte de jonction et régler le sélecteur au voltage approprié. (Voir le dessin ci-dessus, à droite).

Le réglage de l'interrupteur à pression (marche/arrêt 20/40 ou 30/50) a été fait à l'usine. Un ajustement peut être fait pour obtenir d'autres pressions d'opération.

L'ajustement ou la modification du réglage marche/arrêt de l'interrupteur à pression doit être fait d'une façon méticuleuse. **Tourner la vis un demi-tour à la fois.**

Tournez la vis 1 vers la droite pour hausser les pressions de démarrage et d'arrêt. **Ne pas modifier le réglage de la vis 2. Ceci changera l'écart de 20 PSI entre les pressions de démarrage et d'arrêt et pourra endommager le diaphragme du réservoir ou modifier l'efficacité du système d'eau.**

Vérifiez l'opération de la pompe après chaque ajustement.

# APPLICATION POUR PUIITS DE SURFACE

## ÉTAPE 5

Installer votre pompe et visser un adaptateur dans la succion.



## ÉTAPE 6

Couper le tuyau et raccorder les extrémités.

## ÉTAPE 3

Insérer le coude dans le sceau d'étanchéité et le raccorder au tuyau.

## ÉTAPE 4

Installer le sceau d'étanchéité et le tuyau dans le puits.

## ÉTAPE 2

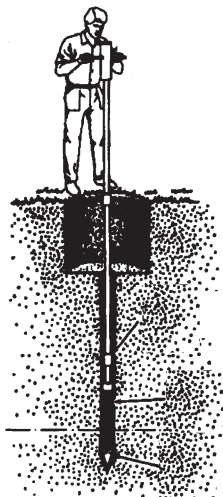
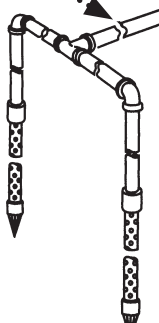
Couper le tuyau et installer le clapet de pied.

## Installation optionnelle de pointe à puits

### ÉTAPE 7

Vous pouvez installer une ou plusieurs pointes à puits pour augmenter l'alimentation en eau.

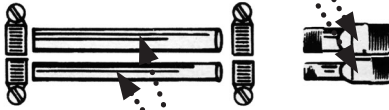
Clapet de retenue, près de la pompe.



# APPLICATION POUR Puits PROFOND

## ÉTAPE 7

Installer votre pompe et visser les adaptateurs dans leurs ouvertures respectives.



## ÉTAPE 8

Couper les tuyaux de 1" et 1 1/4" et les raccorder aux tuyaux.

## ÉTAPE 5

Insérer les coudes dans le sceau du puits et les raccorder aux tuyaux.

## ÉTAPE 6

Installer le sceau du puits et les tuyaux dans le puits.

## ÉTAPE 4

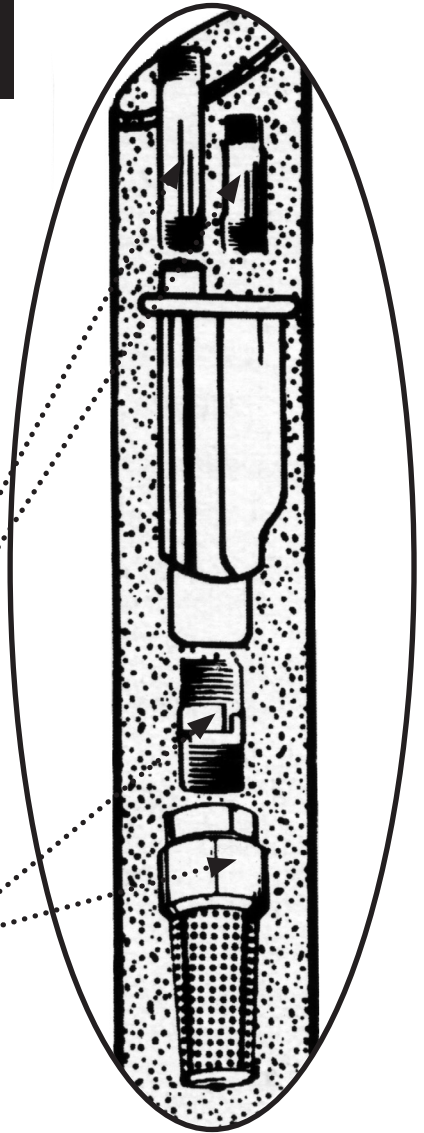
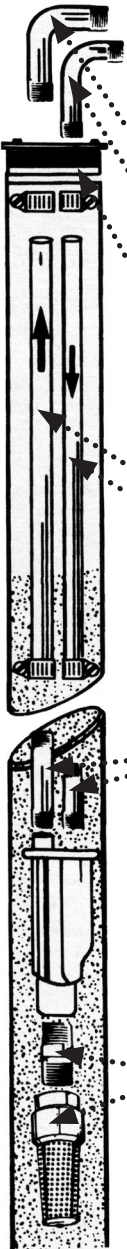
Couper les tuyaux de 1" et 1 1/4".

## ÉTAPE 2

Visser l'adaptateur venturi de 1 1/4" et l'adaptateur 1" dans le boîtier de l'injecteur.

## ÉTAPE 3

Installer un raccord 1" dans le clapet de pied 1", et visser le tout dans l'injecteur.



# INSTALLATION DU RÉSERVOIR

Reniflard d'ajustement de la pression d'air.

Interrupteur à pression, raccord 1/4", sinon inclus avec la pompe.

Valve de sécurité pour les pompes développant plus de 75 lb/po, raccord 1/2".

Manomètre de pression, raccord 1/4".

Valve de drain raccord 1/2".

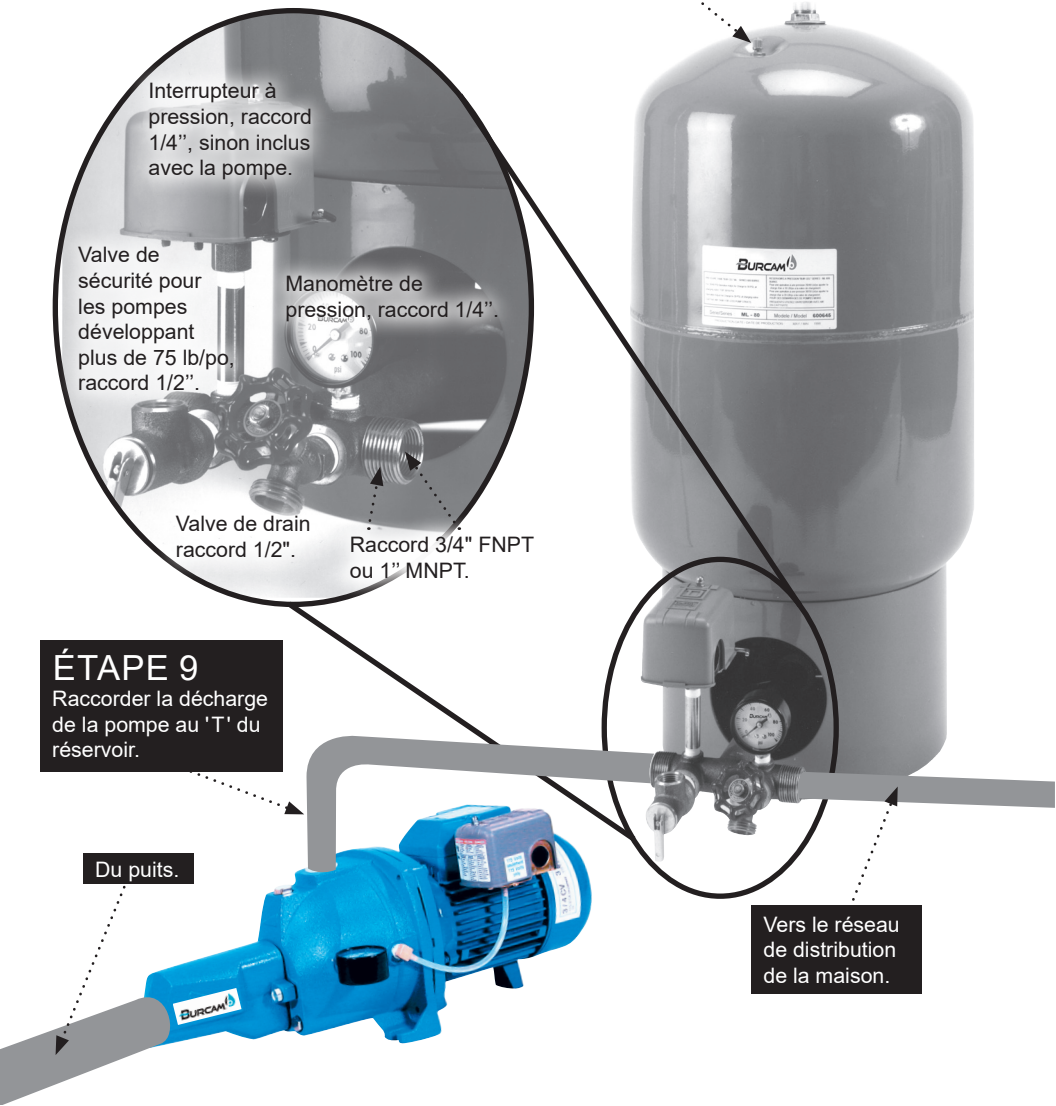
Raccord 3/4" FNPT ou 1" MNPT.

## ÉTAPE 9

Raccorder la décharge de la pompe au 'T' du réservoir.

Du puits.

Vers le réseau de distribution de la maison.



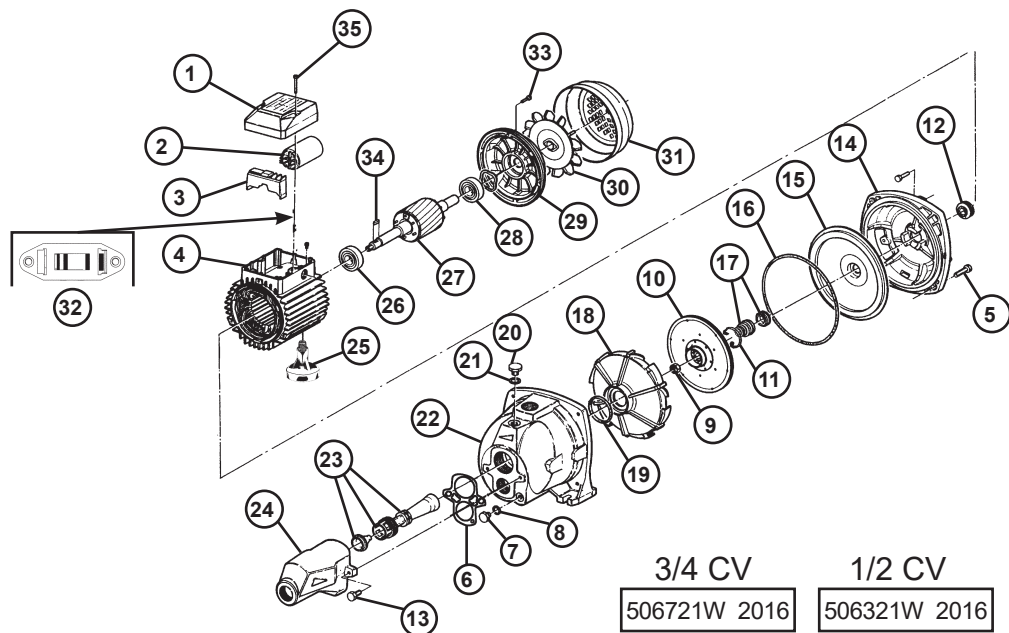
# PIÈCES DE RECHANGE

## RÉF PIÈCES DESCRIPTIONS

1	506014	Couvercle de boîte de jonction
2	506629	Condensateur du moteur
3	506065	Boîte de jonction du condensateur
4	506030W	Stator 1/2CV
4	506285W	Stator 3/4CV
5	506297	Boulon du boîtier de pompe
6	506307	Joint d'étanchéité de l'éjecteur
7	506299	Bouchon de drainage
8	506315	Rondelle du bouchon de drainage
9	506022	Écrou de l'impulseur
10	506294P	Impulseur 1/2CV
10	506292P	Impulseur 3/4CV
11	506411	Anneau à ressort du sceau
12	506026	Pare-sable
13	506415	Vis du boîtier de l'éjecteur (4)
14	506289	Support de pompe
15	506287	Plaque de joint étanche
16	506288	Joint torique du boîtier
17	506637	Sceau mécanique

## RÉF PIÈCES DESCRIPTIONS

18	506317	Diffuseur
19	506298	Joint torique du diffuseur
20	506300	Bouchon d'amorçage
21	506400	Rondelle du bouchon d'amorçage
22	506286	Boîtier en fonte
23	506308W	Joint torique, bec et venturi pour puits de surface
24	506306.1	Boîtier de l'éjecteur (seul)
25	506312	Pied du moteur
26	506031	Roul. à billes côté moteur
27	506314W	Rotor 1/2CV
27	506284W	Rotor 3/4CV
28	506032	Roul. à billes côté ventilateur
29	506296	Couvercle arrière du moteur
30	506017W	Ventilateur
31	506016	Couvercle du ventilateur
32	506094	Sélecteur 115/230V
33	506430	Vis (3)
34	506318W	Clé de l'impulseur
35	506419	Boulon du couvercle



Les pièces de rechange peuvent être commandées de votre point de vente autorisé ou de POMPES BURCAM

# GUIDE DE RÉOLUTION DES PROBLÈMES

LORS D'AJUSTEMENT SUR DES APPAREILS ÉLECTRIQUES, TOUJOURS S'ASSURER QUE LE COURANT EST DÉBRANCHÉ. NE PAS SEULEMENT ENLEVER LE FUSIBLE OU METTRE LE DISJONCTEUR HORS TENSION. IL FAUT DÉBRANCHER LE CÂBLE D'ALIMENTATION DE LA PRISE.

TROUBLE	PROBABLE CAUSE	ACTION
<b>Le moteur ne fonctionne pas.</b>	Commutateur hors circuit Fusible brûlé Disjoncteur déclenché Interrupteur à pression encrassé Interrupteur à pression défectueux Moteur défectueux	Remettre en circuit Remplacer Enclencher Nettoyer Remplacer Remplacer
<b>Le moteur tourne, mais il n'y a pas d'eau pompée.</b>	Pompe non amorcée Fuite dans le tuyaux de succion Clapet de pied bouché Bec de l'injecteur obstrué Niveau de l'eau trop bas Suction trop profonde Voltage inadéquat	Amorcer avec de l'eau propre Vérifier tous les joints et les tuyaux Nettoyer Nettoyer Vérifier la position du clapet de pied Niveau de l'eau sous la limite de succion Vérifier le voltage du circuit
<b>Le débit n'est pas à pleine capacité.</b>	Niveau de l'eau trop bas Bec de l'injecteur obstrué Friction excessive dans les tuyaux Voltage inadéquat	Vérifier la position du clapet de pied Nettoyer Tuyau encrassé ou trop petit Vérifier le voltage du circuit
<b>La pompe ne s'arrête pas.</b>	Fuite dans les tuyaux de décharge Moteur tourne trop lentement Interrupteur à pression mal ajusté Bec de l'injecteur obstrué	Vérifier qu'il n'y a pas de fuite Vérifier le câblage et le voltage Vérifier ou remplacer Nettoyer
<b>La pompe démarre et arrête trop souvent.</b>	Perte d'air dans le réservoir Fuite dans le clapet de pied Fuite dans le tuyau de succion Clapet de pied demeure ouvert Interrupteur à pression mal ajusté Fuite dans les tuyaux de décharge (toilette etc.)	Vider le réservoir et recharger Remplacer Vérifier tous les joints et les tuyaux Nettoyer ou remplacer Corriger le réglage Vérifier qu'il n'y a pas de fuite
<b>De l'air sort des robinets.</b>	Fuite dans le tuyau de succion Gaz dans l'eau Réservoir rempli d'air (galvanisé)	Vérifier tous les joints et les tuyaux Vérifier et consulter l'usine Remplacer le contrôle de volume d'air

## AU CONSOMMATEUR

Si vous connaissez des problèmes avec ce produit, avant d'appeler le magasin où vous en avez fait l'acquisition, s'il-vous-plaît, contactez notre service à la clientèle au **514 337-4415**. Ils se feront un plaisir de vous aider avec toutes les questions que vous auriez concernant l'installation.