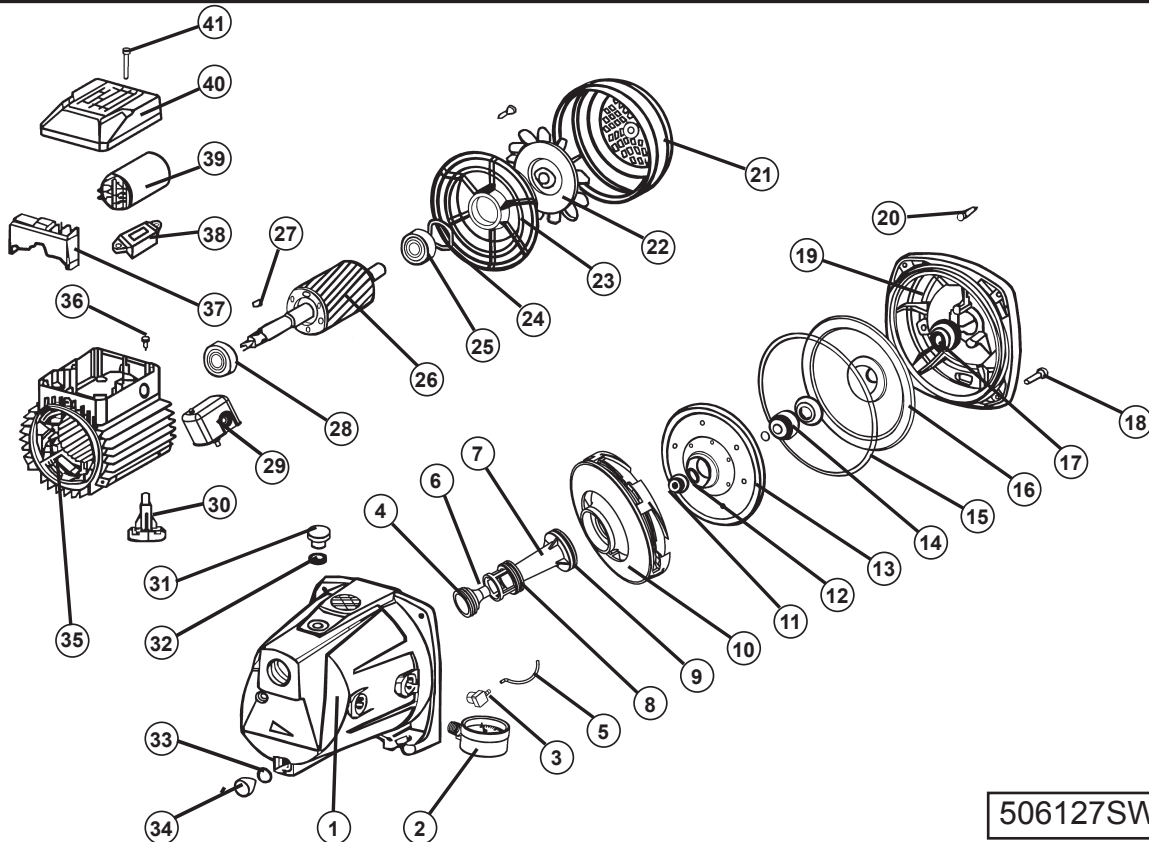


# REPAIR PARTS

Ref	Part	Description	Ref	Part	Description
1	506391	C.I. pump body	22	506073W	Motor fan
2	750769	Pressure gauge	23	506072GP	Motor end bell
3	52319	1/4"NPT 1/8"barb brass adaptor	24	506385	Wave spring washer
4	506052	Nozzle "O" ring	25	350335	Motor bearing fan side
5	750748	Plastic tubing	26	506070GP	Rotor/shaft
6	506389	Nozzle	27	506069	Rotor shaft key
7	506380	Venturi	28	350335	Motor bearing pump side
8	506388	Venturi "O" ring	29	750957S	Pressure switch
9	506053	Venturi "O" ring	30	506075	Motor/pump foot
10	506085	Diffuser	31	506300	Priming plug
11	506055	Impeller brass nut	32	506400	Priming plug washers
12	506381	Gasket	33	506315	Washer
13	506083	Noryl impeller	34	506299	Draining plug
14	506057	Mechanical shaft seal	35	506067GP2V	Stator winding
15	350129	Pump body "O" ring	36	506386	Grounding screw
16	506059GP	S.S. seal plate	37	506065	Capacitor junction block
17	506060	Sand slinger	38	506094	115/230V selector
18	506062	Body cap screw	39	506064	Motor capacitor
19	506061GP	Pump bracket	40	506014	Cover box junction
20	506383	Motor flange cap screw	41	506384	Cover box screw
21	506074GP	Fan cover			



506127SW 2009

Repair parts may be ordered from your authorized point of sale or from  
**BUR-CAM PUMPS**