



2190 Boul. Dagenais West
LAVAL (QUEBEC)
CANADA
H7L 5X9

TEL: 514.337.4415
FAX: 514.337.4029
info@burcam.com

Your pump has been carefully packaged at the factory to prevent damage during shipping. However, occasional damage may occur due to rough handling. **Carefully inspect your pump** for damages that could cause failures. Report any damage to your **carrier or your point of purchase.**



INSTALLATION INSTRUCTIONS

MODEL 300512 FOUNTAIN & WATERFALLS PUMP

Please read these instructions carefully. **Failure** to comply to instructions and **designed** operation of this system, may **void** the warranty.

SAFETY INSTRUCTIONS:

This fine pump that you have just purchased is designed from the latest in material and workmanship.

Before installation and operation, we recommend the following procedures:

A CHECK WITH YOUR LOCAL ELECTRICAL AND PLUMBING CODES TO ENSURE YOU COMPLY WITH THE REGULATIONS. THESE CODES HAVE BEEN DESIGNED WITH YOUR SAFETY IN MIND. BE SURE YOU COMPLY WITH THEM.

B WE RECOMMEND THAT A SEPARATE CIRCUIT BE LEAD FROM THE HOME ELECTRICAL DISTRIBUTION PANEL PROPERLY PROTECTED WITH A FUSE OR A CIRCUIT BREAKER. WE ALSO RECOMMEND THAT A GROUND FAULT CIRCUIT BE USED. CONSULT A LICENSED ELECTRICIAN FOR ALL WIRING.

C THE GROUND TERMINAL ON THE THREE PRONG PLUGS SHOULD NEVER BE REMOVED. THEY ARE SUPPLIED AND DESIGNED FOR YOUR PROTECTION.

D NEVER MAKE ADJUSTMENTS TO ANY ELECTRICAL APPLIANCE OR PRODUCT WITH THE POWER CONNECTED. DO NOT ONLY UNSCREW THE FUSE OR TRIP THE BREAKER, REMOVE THE POWER PLUG FROM THE RECEPTACLE.

APPLICATION

- This submersible utility pump is designed for a portable application, for dewatering around homes.
- This pump is great for water transfer from basin, pool cover, flooded floor, flat roof.
- May also be used for waterfall, fountain.

CAPACITY:

5'	2270	US GPH
10'	2100	US GPH
15'	1700	US GPH
20'	975	US GPH

FRICITION LOSS
IN
PIPE NOT
INCLUDED

FEATURES

- Non corrosive material.
- Stainless steel mechanical rotary seal.
- Thermal and overload protection.
- 1/3HP, 115VAC, 60Hz, 3.4 A, (6.1 A when start).

NOTICE

This unit is not designed for applications involving salt water or brine .
Use with salt water or brine will void warranty.

INSTRUCTION STEPS

WARNING : NEVER RUN THE PUMP DRY

STEP 1 Install the pump at the appropriate place to drain or at the source for waterfall and / or fountain.

STEP 2 Run a 1¼" pipe to the desired discharge point.

STEP 3 Make sure that sand, rocks or any debris does not clog the suction screen.

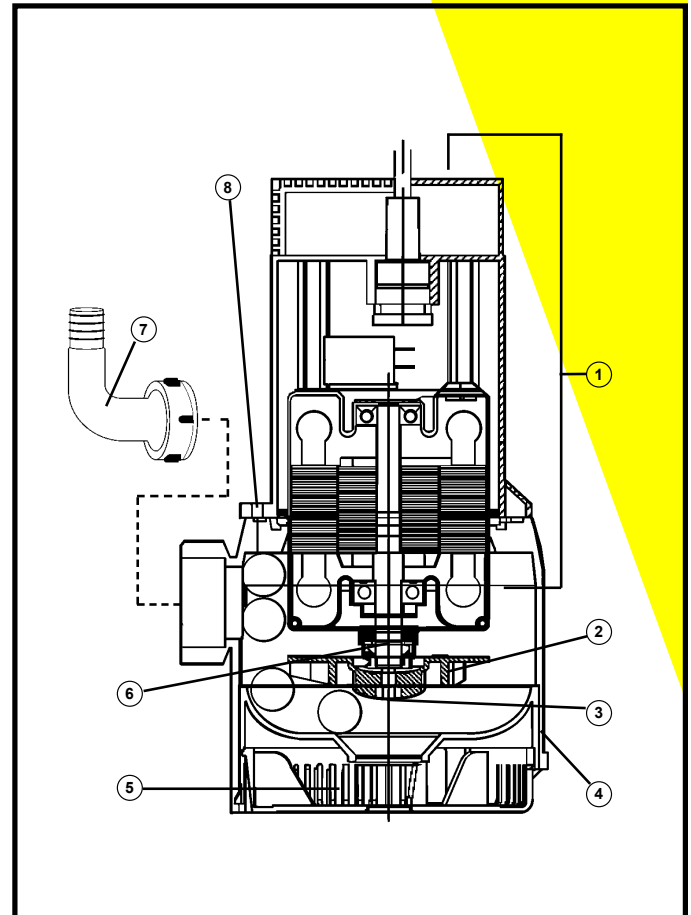
REPAIR PARTS

MODEL

300512

SUBMERSIBLE UTILITY PUMP

REF	#	DESCRIPTION
1	310680	Complete motor
2	310681	Impeller
3	310682	Impeller screw
4	310683	Pump housing
5	310684	Strainer
6	310685	Mechanical seal
7	310686	Barb discharge reducer
8	310687	Pump body screw (4)



Repair parts may be ordered from your authorized point of sale or from
BUR-CAM PUMPS

TROUBLE SHOOTING GUIDE CHECKLIST

NEVER MAKE ADJUSTMENTS TO ANY ELECTRICAL APPLIANCE OR PRODUCT WITH THE POWER CONNECTED. DON'T JUST UNSCREW THE FUSE OR TRIP THE BREAKER, REMOVE THE POWER FROM THE RECEPTACLE.

TROUBLE	PROBABLE CAUSE	ACTION
Motor does not run.	<ul style="list-style-type: none"> Blown fuse Tripped breaker Plug disconnected Corroded plug Low water level Thermal overloaded Defective motor 	<ul style="list-style-type: none"> Replace Reset Re-install Clean prongs Add water and verify Unplug the pump for 15 minutes than restart. Replace/repair
Pump does not deliver full capacity.	<ul style="list-style-type: none"> Jammed impeller Blocked suction/inlet Discharge leak Blocked line/pipe Worn impeller Defective motor 	<ul style="list-style-type: none"> Clean Check for debris in pit and clean Repair Check for debris or ice Repair/replace Replace/ repair

TO THE END CONSUMER

If you have any problems with the product, before advising the store, where you've purchased the pump, please contact us at 514 337-4415 , and ask for our sales department, and they will be pleased to help you with any questions you might have, concerning your installation.