



2190 Dagenais O
LAVAL (QUEBEC)
CANADA
H7L 5X9

TEL: 514.337.4415
FAX: 514.337.4029
info@burcam.com

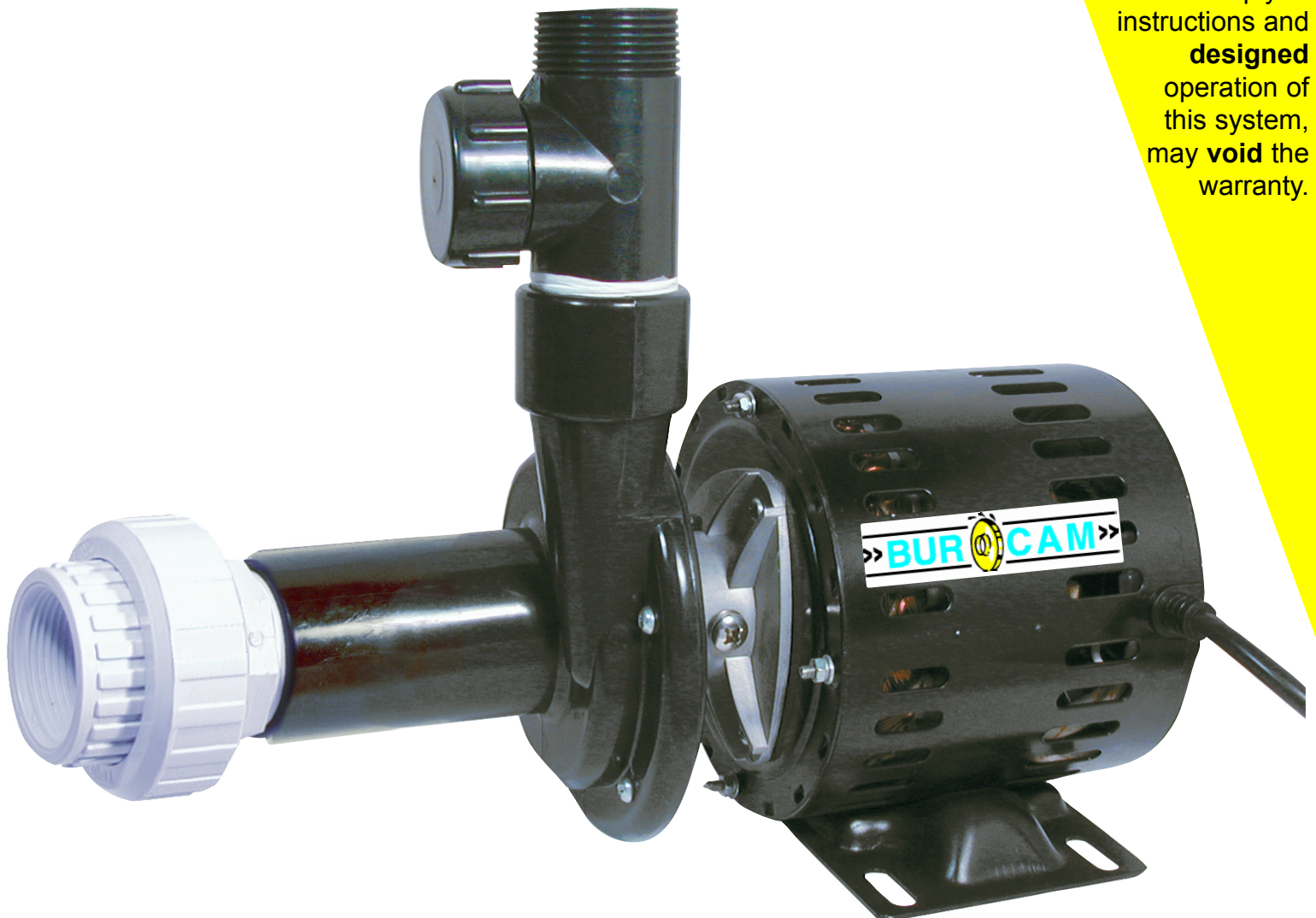
INSTALLATION INSTRUCTIONS

MODEL 300315W

LAUNDRY TUB PUMP

Your pump has been carefully packaged at the factory to prevent damage during shipping. However, occasional damage may occur due to rough handling. **Carefully inspect your pump** for damages that could cause failures. Report any damage to your carrier or your point of purchase.

Please read these instructions carefully. **Failure** to comply to instructions and **designed** operation of this system, may **void** the warranty.



SAFETY INSTRUCTIONS:

This fine pump that you have just purchased is designed from the latest in material and workmanship.

Before installation and operation, we recommend the following procedures:

- A** CHECK WITH YOUR LOCAL ELECTRICAL AND PLUMBING CODES TO ENSURE YOU COMPLY WITH THE REGULATIONS. THESE CODES HAVE BEEN DESIGNED WITH YOUR SAFETY IN MIND. BE SURE YOU COMPLY WITH THEM.
- B** WE RECOMMEND THAT A SEPARATE CIRCUIT BE LEAD FROM THE HOME ELECTRICAL DISTRIBUTION PANEL PROPERLY PROTECTED WITH A FUSE OR A CIRCUIT BREAKER. WE ALSO RECOMMEND THAT A GROUND FAULT CIRCUIT BE USED. CONSULT A LICENSED ELECTRICIAN FOR ALL WIRING.
- C** THE GROUND TERMINAL ON THE THREE PRONG PLUGS SHOULD NEVER BE REMOVED. THEY ARE SUPPLIED AND DESIGNED FOR YOUR PROTECTION.
- D** NEVER MAKE ADJUSTMENTS TO ANY ELECTRICAL APPLIANCE OR PRODUCT WITH THE POWER CONNECTED. DO NOT ONLY UNSCREW THE FUSE OR TRIP THE BREAKER, REMOVE THE POWER PLUG FROM THE RECEPTACLE.

Material required for laundry tub application (indoor use only)

- Desired length of ABS/DWV 1 1/2" pipe, to link up from laundry tub to pump suction and pump discharge to waste or drain existing pipe.
- Required quantities of 1 1/2" ABS/DWV elbow(s) and/or other fitting(s) to run the piping lines.
- 1 only 1 1/2" ABS/DWV female socket sleeve to connect the discharge pipe to the check valve.
- 1 ABS/DWV Y fitting to connect the discharge line to the waste or drain existing pipe.
- Teflon tape and ABS cement.

Tools

Screwdrivers, hacksaw to cut pipe, knife to assist in pipe cutting, round file to smooth pipe ends, pipe wrench, allen wrench.

A check valve is supplied to prevent the backflow of water when the pump shuts off.

APPLICATIONS

- This pump is designed for a permanent installation to handle normal waste water from domestic washing machines, bar sinks located in basement play room, and generally all waste water not containing solids or materials which will clog the impeller operation, where the waste or drain line is above the level for gravity flow to sewer or septic bed connections.

CAPACITY:

2' 1400 US GPH

4' 1200 US GPH

6' 1000 US GPH

FRICION LOSS IN
PIPE NOT INCLUDED

8' 800 US GPH

10' 500 US GPH

FEATURES

- High performance noryl impeller.
- Full time connected run capacitor, to eliminate starting wear vs regular motor.
- Thermal and overload protection.
- Flat union, check valve included
- 1/3HP, 115VAC, 60Hz, 5.7A.

INSTALLATION STEPS FOR VERTICAL APPLICATION

see typical installation diagram in page 4

STEP 1

We recommend that you install your pump in a clean and dry location where there is adequate room for servicing at a later date. Protection from freezing temperatures and good ventilation should be considered as well, to provide the pump an environment for long life. Locate the pump directly under the strainer of laundry tub or sink as per installation diagram (see page 4).

Friction losses in the discharge pipe must be taken into consideration when many elbows and fittings are installed in the discharge line. Each elbows and fittings must be considered as 1 feet of head.

Never run the pump dry. Damage to the seal may occur.

THE RUN OF THE PIPE FROM THE CHECK VALVE TO THE EXISTING WASTE OR DRAIN LINE MUST NEVER BE SLOPING DOWNWARD EXCEPT WHEN CONNECTING TO SAME.

STEP 2

Using teflon tape, install the female portion of the union under the laundry tub to the threaded male adaptor of the strainer and screw the male part of the union, into the female pump intake. Then screw the union to hold the pump securely in place.

STEP 3

Using teflon tape, screw the check valve to the pump discharge and aligned towards the planned discharge line.

STEP 4

From the check valve, run your length of discharge pipe, using elbows and fittings, in your shortest possible run to the existing waste or drain line.

STEP 5

Test pump operation by filling laundry tub with water. Connect the 3 prong plug (never run the pump dry) in a receptacle to activate the pump motor (**Important notice:** The electrical outlet must be activated by a wall switch) Check all plumbing connections for leaks and correct where necessary.

STEP 6

Unplug (turn off wall switch) to stop the motor.

IMPORTANT NOTICE: THE ELECTRICAL OUTLET MUST BE ACTIVATED BY A WALL SWITCH

LAUNDRY TUB APPLICATION ON VERTICAL POSITION

STEP 4

Run the discharge pipe

STEP 2

Using the supplied union, install pump under strainer

STEP 3

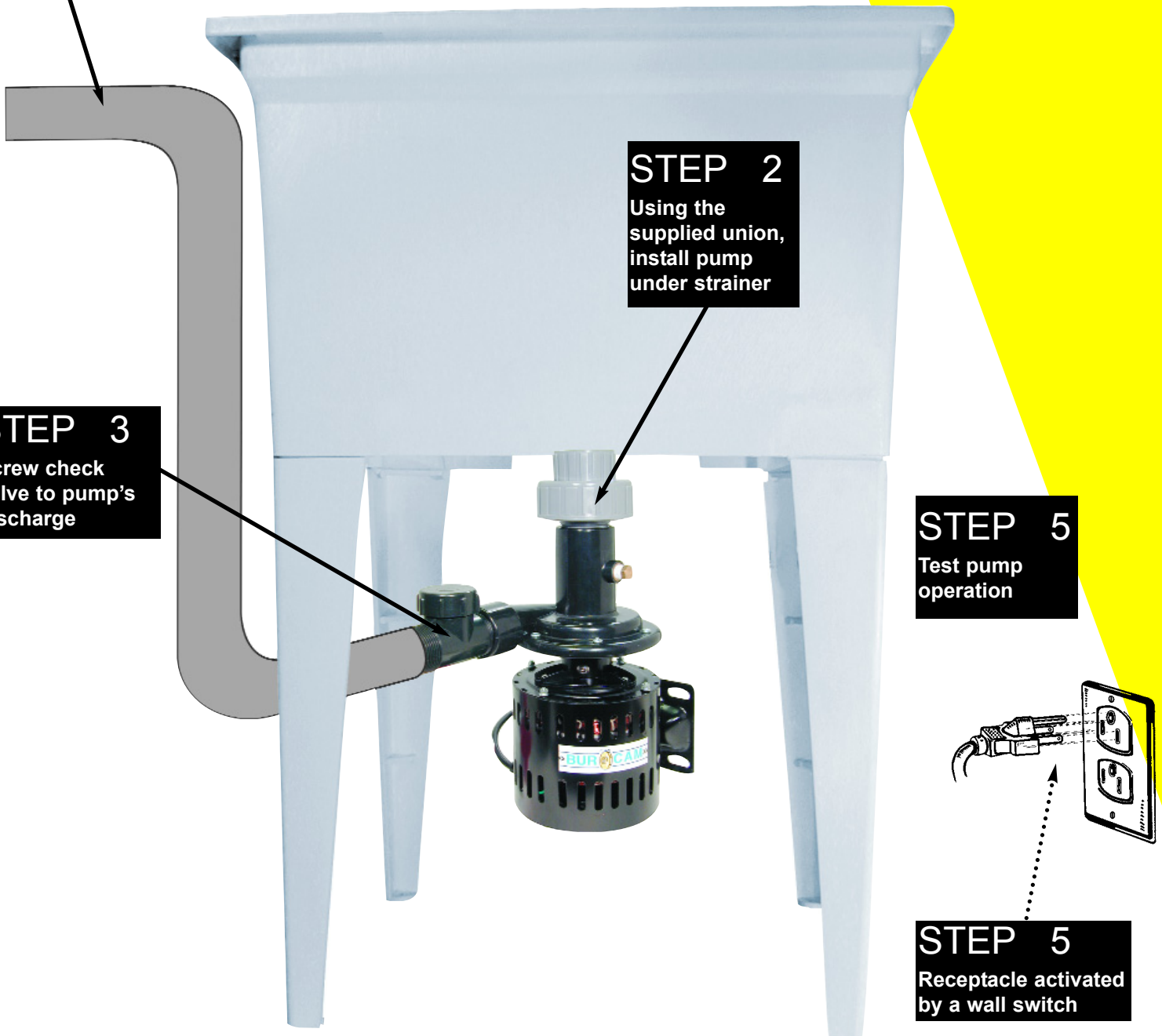
Screw check valve to pump's discharge

STEP 5

Test pump operation

STEP 5

Receptacle activated by a wall switch



INSTALLATION STEPS FOR HORIZONTAL APPLICATION

see typical installation diagram in page 6

STEP 1 We recommend that you install your pump in a clean and dry location where there is adequate room for servicing at a later date. Protection from freezing temperatures and good ventilation should be considered as well, to provide the pump an environment for long life. Locate the pump directly under the strainer of laundry tub or sink as per installation diagram (see page 4).

Friction losses in the discharge pipe must be taken into consideration when many elbows and fittings are installed in the discharge line. Each elbows and fittings must be considered as 1 feet of head.

Never run the pump dry. Damage to the seal may occur.

THE RUN OF THE PIPE FROM THE CHECK VALVE TO THE EXISTING WASTE OR DRAIN LINE MUST NEVER BE SLOPING DOWNWARD EXCEPT WHEN CONNECTING TO SAME.

STEP 2 Position the pump about 6" to the side of the tub. This will allow room for servicing.

STEP 3 Line up pump inlet connection to tub's tail pipe and measure the pipes length required. Then, cut to size and smooth the cut with a round file.

STEP 4 Using teflon tape and glue, install the piping to link up the strainer of the laundry tub to the pump inlet. Never install a "P trap". Install a regular elbow as shown in the diagram. Keep a little slope from the elbow to the pump inlet.

STEP 5 Using teflon tape, screw the check valve to the pump discharge and aligned towards the planned discharge line.

STEP 6 From the check valve, run your length of discharge pipe, using elbows and fittings, in your shortest possible run to the existing waste or drain line.

STEP 7 Test pump operation by filling laundry tub with water. Connect the 3 prong plug (never run the pump dry) in a receptacle to activate the pump motor (**Important notice:** The electrical outlet must be activated by a wall switch) Check all plumbing connections for leaks and correct where necessary.

STEP 8 Unplug (turn off wall switch) to stop the motor.

IMPORTANT NOTICE: THE ELECTRICAL OUTLET MUST BE ACTIVATED BY A WALL SWITCH

LAUNDRY TUB APPLICATION ON HORIZONTAL POSITION

STEP 7

Test pump operation

STEP 6

Run the discharge pipe

STEP 4

Assemble inlet piping without "P" trap

STEP 7

Receptacle activated by a wall switch

STEP 3

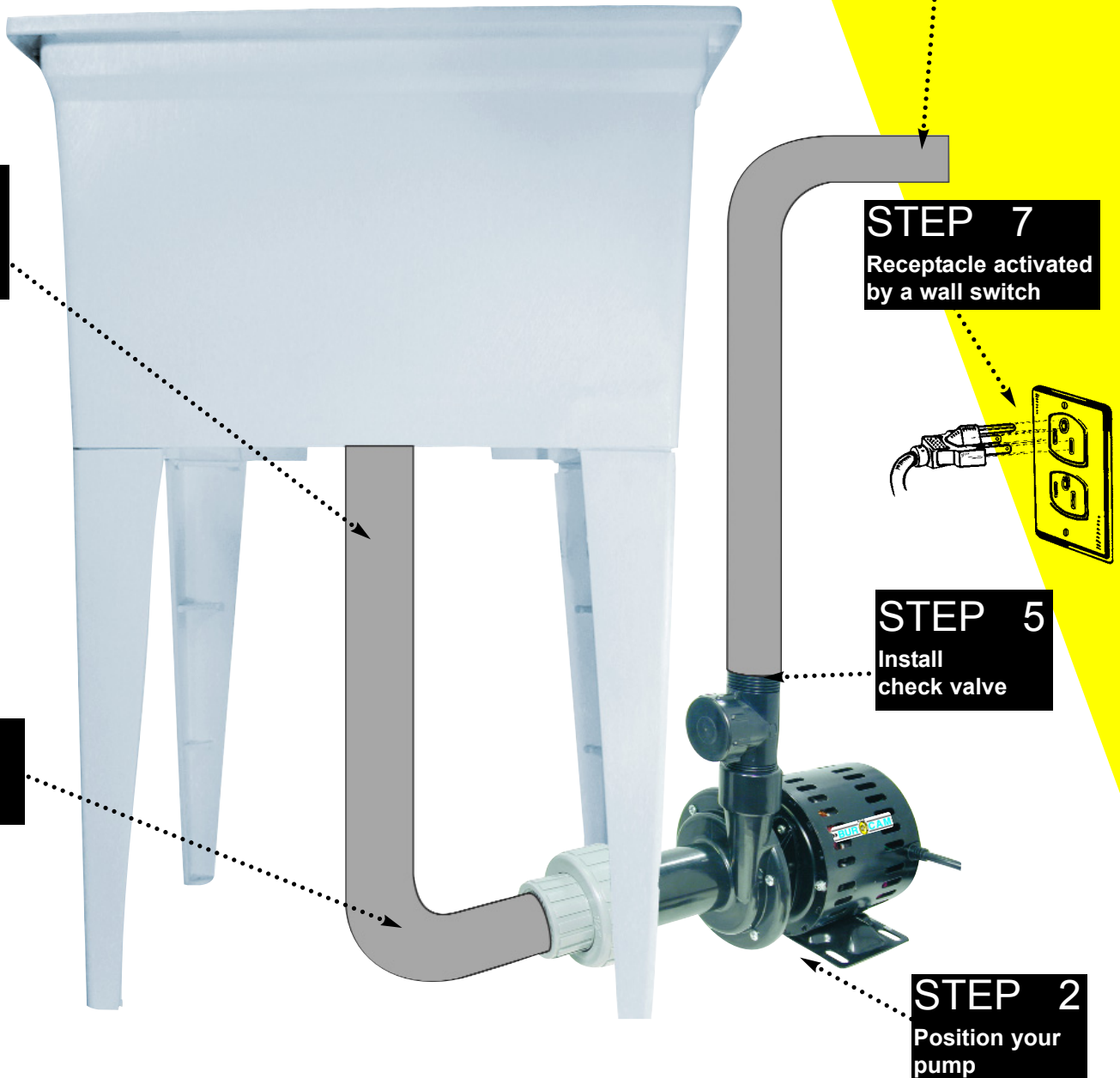
Line up and cut pipes

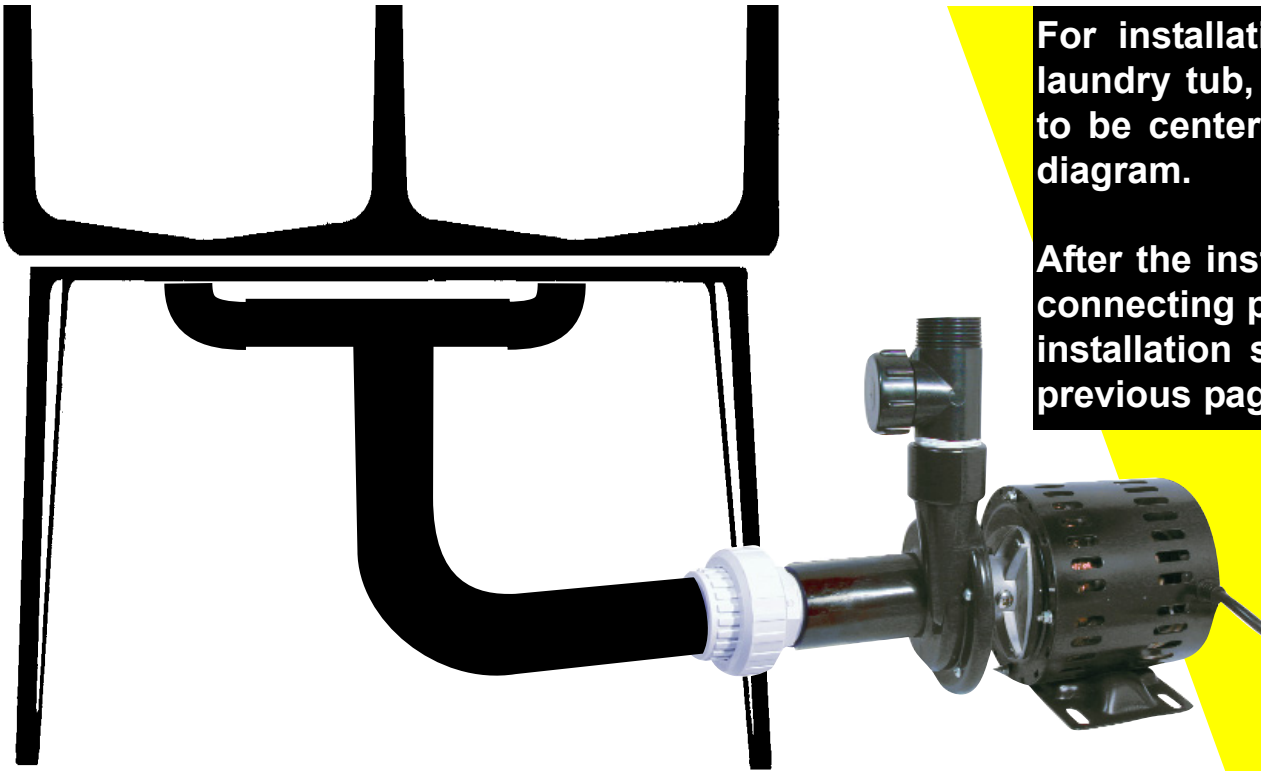
STEP 5

Install check valve

STEP 2

Position your pump





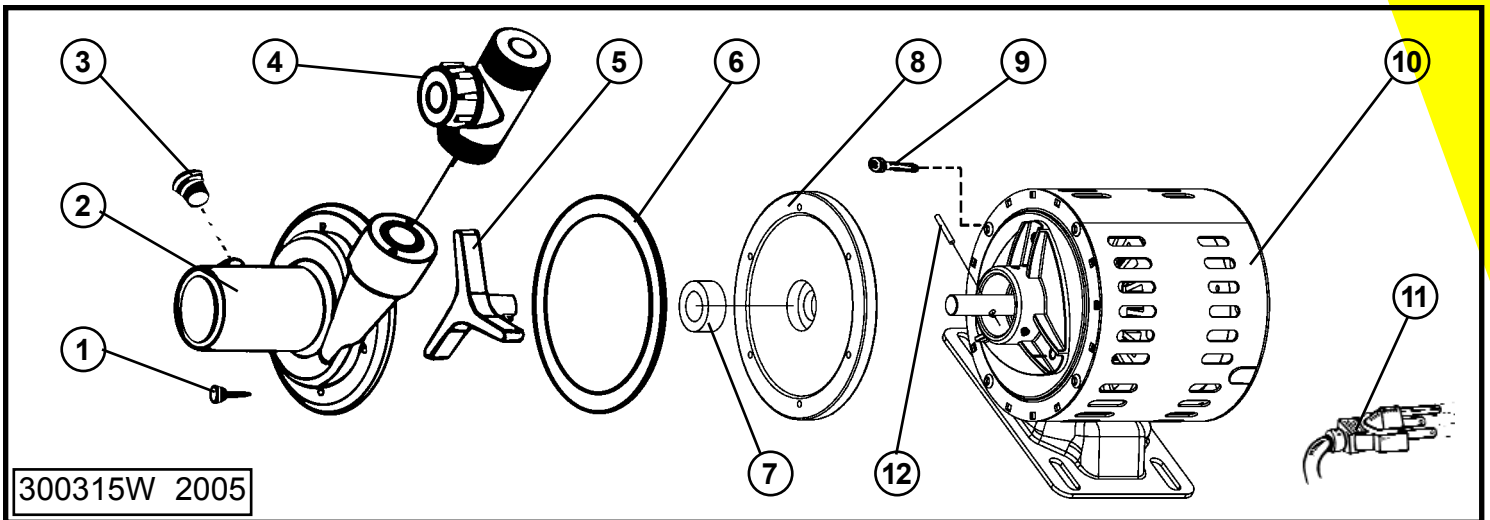
For installation on a twin laundry tub, the pump has to be centered as per this diagram.

After the installation of the connecting pipe, follow the installation steps from the previous pages.

REPAIR PARTS

REF	MODEL	DESCRIPTION
1	310531	Volute screws (6)
2	310530	Volute
3	52212	Brass plug 1/4" NPT
4	310533	Check ball
5	310529	Impeller
6	310528	Pump gasket

REF	MODEL	DESCRIPTION
7	400459	Lip seal
8	310527	Volute cover
9	31534	Screws (3)
10	310525	Electric motor complete
11	300280	Power cable
12	310526	Pin



300315W 2005

Repair parts may be ordered from your authorized point of sale or from
BUR-CAM PUMPS

TROUBLE SHOOTING GUIDE CHECKLIST

NEVER MAKE ADJUSTMENTS TO ANY ELECTRICAL APPLIANCE OR PRODUCT WITH THE POWER CONNECTED. DON'T JUST UNSCREW THE FUSE OR TRIP THE BREAKER, REMOVE THE POWER FROM THE RECEPTACLE.

TROUBLE	PROBABLE CAUSE	ACTION
Motor does not run.	Switch is off position Blown fuse Tripped breaker Defective switch Defective motor	Turn switch to on position Replace Reset Replace Replace
Motor runs but no water is delivered.	Improper voltage 'P' trap between strainer and pump	Check voltage Remove
Pump does not deliver to full capacity.	Improper voltage 'P' trap between strainer and pump	Check voltage Remove

TO THE END CONSUMER

If you have any problems with the product, before advising the store, where you've purchased the pump, please contact us at 514 337-4415 , and ask for our sales department, and they will be pleased to help you with any questions you might have, concerning your installation.